

**52" X-ONE Parts Manual -
936237CE -
HTX1TS052KAWFX850VC**

General Information	1
Frame & Engine Guard	
Frame	3-1
Engine Guard	3-2
Hydraulic & Steering	
Hydraulic System	4-1
Transmission Service Parts	4-2
Steering	4-3
Steering Cover Assembly (Multi-Page)	4-4
Left Steering Box Assembly	4-5
Right Steering Box Assembly	4-6
Brake	4-7
Wheels & Tires	
Wheel & Tire	5-1
Front Wheel Assembly	5-2
Drive Wheel Breakdown	5-3
Engine & Fuel Tank	
Engine (Multi-Page)	6-1
Engine Service Parts	6-2
Fuel System	6-3
Fuel Tank Service Parts	6-4
Electrical	
Instrument Panel	7-1
Battery	7-2
Deck	
Service Deck	8-1
Deck Pulleys & Spindles	8-2
Deck (Multi-Page)	8-3
Deck Lift (Multi-Page)	8-4
Seat & ROPS	
Seat	9-1
Seat Service Parts	9-2
ROPS	9-3
Appendice AIndice pagine	A
Appendice BIndice parti	B

General Information

Note: When ordering parts, you must use the part number as shown for each part, not the index number. Always give the model and serial number to your parts and service representative.

Note: Items sold in bulk such as seals and hoses are sold by the foot.

Using This Manual

This manual is part of a service package for the Hustler® mowers. Use of this manual in conjunction with other Hustler® mower and component manuals will provide the information necessary to service and maintain Hustler® mowers.

This Parts Manual provides a complete parts listing for the unit. Use this manual when ordering parts. Illustrations used were current at the time of printing, but subsequent production changes may cause your machine to vary slightly in detail. Excel Industries, Inc. reserves the right to redesign and change the machine as deemed necessary, without notification. If a change has been made to your machine which is not reflected in this parts manual, see your authorized dealer for current information and parts.

The Service Manual is a service guide for use by Service Technicians. It provides the necessary information needed to perform normal maintenance requirements on these units.

The Operator's Manual provides fundamental operational information and operational safety that is needed when operating the mower.

The component manuals are furnished by the various manufacturers to be used for the troubleshooting and servicing of their products.

Hardware Description Codes & Abbreviations

The following codes are used throughout this parts manual. Refer to this list when ordering parts.

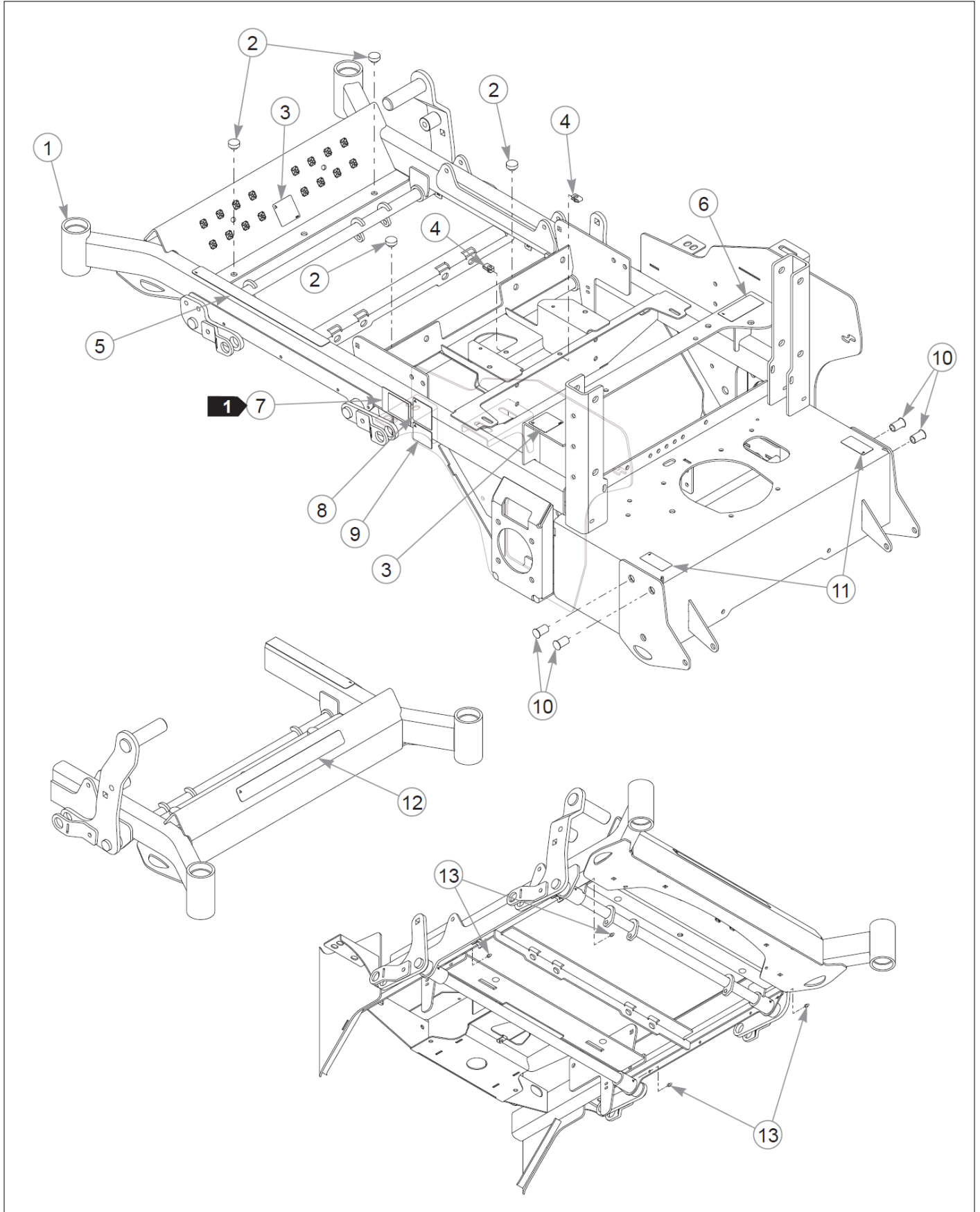
ABBREVIATION	DESCRIPTION	ABBREVIATION	DESCRIPTION
CB	CARRIAGE BOLT	MB	MACHINE BUSHING
CE	CLEVIS PIN	MS	MACHINE SCREW
CN	CLIP NUT	NT	NUT
CP	COTTER PIN	SC	SELF TAPPING CAP SCREW
CS	CAP SCREW	SH	SOCKET HEAD
CW	CUP WASHER	SB	SHOULDER BOLT
FDRW	FENDER WASHER	SS	SET SCREW
FW	FLAT WASHER	OD	OUTSIDE DIAMETER
HX	HEX HEAD	ID	INSIDE DIAMETER
LW	LOCK WASHER	WN	WELD NUT

Standard Torques

The following chart lists the standard torque values for the threaded fasteners found in this manual. Torque all cap screws, nuts and set screws to these values unless a different torque is shown in the Notes section next to the fastener.

SIZE	FT-LBS	N•M	SIZE	FT-LBS	N•M
.250	8.2	11.1	M3	1	1.3
.312	17	23	M4	2.2	3
.375	30	40	M5	4.5	6.1
.438	48	65	M6	7.7	10.4
.500	73	99	M8	18.5	25
.562	105	143	M10	37	50
.625	145	200	M12	64	87
.750	260	350	M14	80	108.5
.875	420	565	M16	160	215
1.00	625	850	M20	320	435
			M24	555	750

Frame & Engine Guard



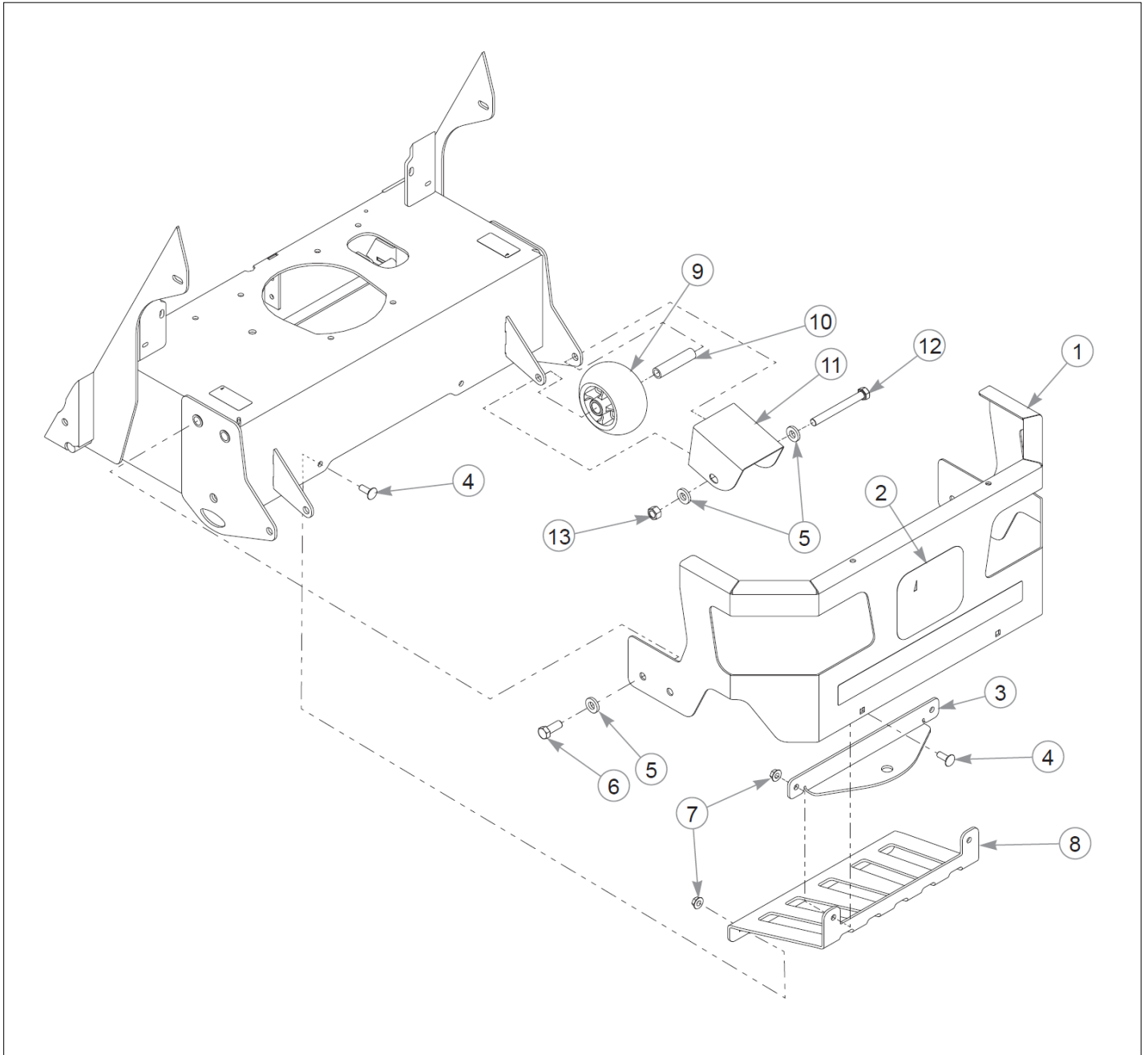
Elemento	Parte n.	Nome	Q.ta	Udm
1	553837	SVC FRAME, 52" X1 CE	1	EA
2	781880	BUMPER, .500x 1.00x .31	4	EA
3	602562	DECAL, NO SERVICE	2	EA
4	601982	CN .250-20X .150 MAX THK	2	EA
5	601993	DECAL, SAFE OPERATION	1	EA
6	601967	DECAL, ENGINE COMPART	1	EA
7	N/A	SERIAL NUMBER / SPEC. DECAL	1	EA
8	789776CE	DBA LIMIT DECAL	1	EA
9	776310	DECAL, CE MARK	1	EA
10	600961	RIVET NUT, 1/2-13 THREAD	4	EA
11	602041	DECAL, HOT	2	EA
12	602407	DECAL, HUSTLER ID	1	EA
13	015495	GREASE FITTING STRAIGHT	4	EA

Comments for Page: Frame

jmumford@excelii.com on Jan 30, 2017

1. Serial number decal. In the event the serial number decal becomes damaged or illegible, please contact your dealer to order a replacement.
2. The frame includes the decals.

Frame & Engine Guard



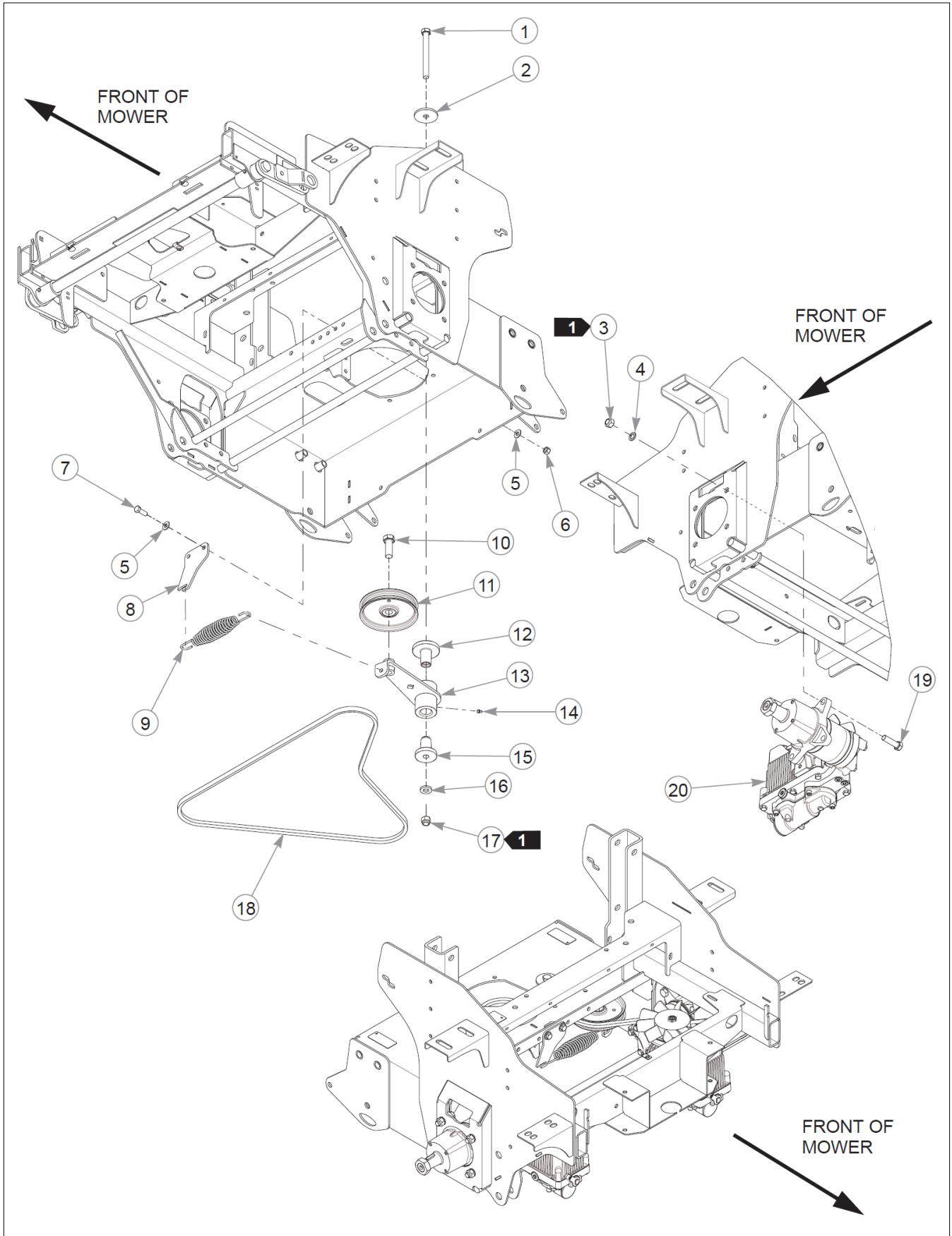
Elemento	Parte n.	Nome	Q.ta	Udm
1	553843	SVC, ENGINE GUARD X1	1	EA
2	604352	DECAL, H LOGO	1	EA
3	124385-1	HITCH	1	EA
4	025395	CB .375-16X 1.00 G5 ZNY	4	EA
5	767962	FW .531 x 1.063 x .175	8	EA
6	705954	CS .500-13X1.250HSG5	4	EA
7	016899	NT .375-16 FLKG5	4	EA
8	606483	MUFFLER GUARD	1	EA
9	602263	WHEEL, ANTI-SCALP	2	EA
10	602345	SPACER, ANTI-SCALP 3.22	2	EA
11	377994	HEAT SHIELD, MMZ ROLLER	2	EA
12	068239	CS .500-13X4.500HXG5	2	EA
13	008193	NT .500-13HXG5	2	EA

Comments for Page: Engine Guard

jmumford@excelii.com on Oct 11, 2016

1. The engine guard includes the decal.

Hydraulic & Steering



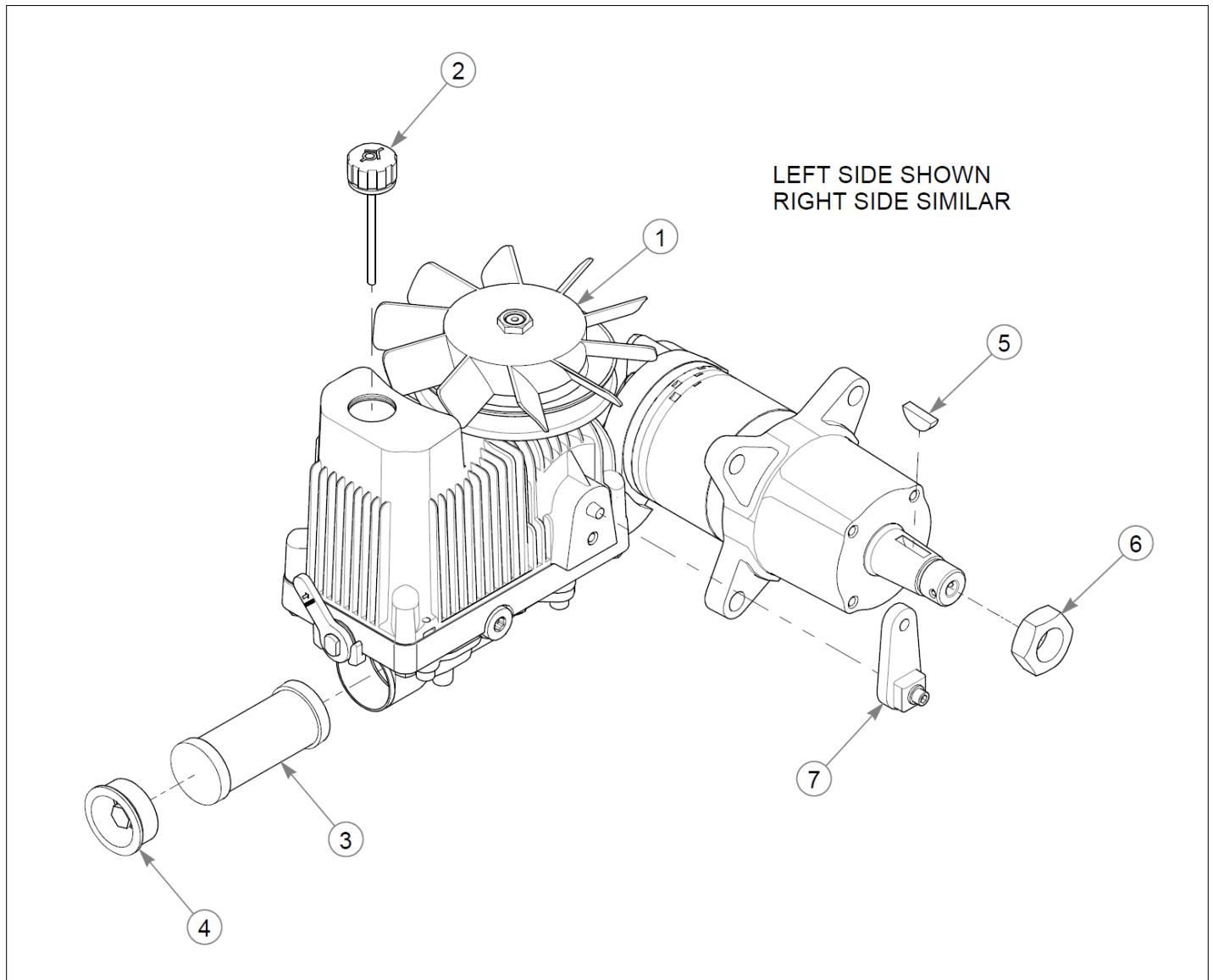
Elemento	Parte n.	Nome	Q.ta	Udm
1	051151	CS .500-13X5.000HXG5	1	EA
2	344267	FW .510X 2.15X.187 SPL	1	EA
3	023317	NT .500-13UNTG8	8	EA
4	604486	FW .531X.812X.089 HD	8	EA
5	767954	FW 0.379 x 0.813 x 0.063	4	EA
6	054502	NT .375-16HXG5	2	EA
7	036244	CS .375-16X1.000HXG5	2	EA
8	124432-1	IDLER SPRING MOUNT	1	EA
9	781302	IDLER SPRING	1	EA
10	025007	CS .62511X1.750HXG5	1	EA
11	602304	PULLEY, 5" FLAT IDLER	1	EA
12	602880	BUSHING, IDLER PIVOT	1	EA
13	122905	TENSIONER W/A	1	EA
14	015495	GREASE FITTING STRAIGHT	1	EA
15	602879	BUSHING, IDLER PIVOT	1	EA
16	767962	FW .531 x 1.063 x .175	1	EA
17	781567	NT .500-13NLG5	1	EA
18	606411	BELT HA SECTION	1	EA
19	017616	CS .500-13X1.750HXG5	8	EA
20	606401	TRANSMISSION, PARKER HTJ	1	EA
21	606402	TRANSMISSION, PARKER HTJ	1	EA

Comments for Page: Hydraulic System

jmumford@excelii.com on Jan 30, 2017

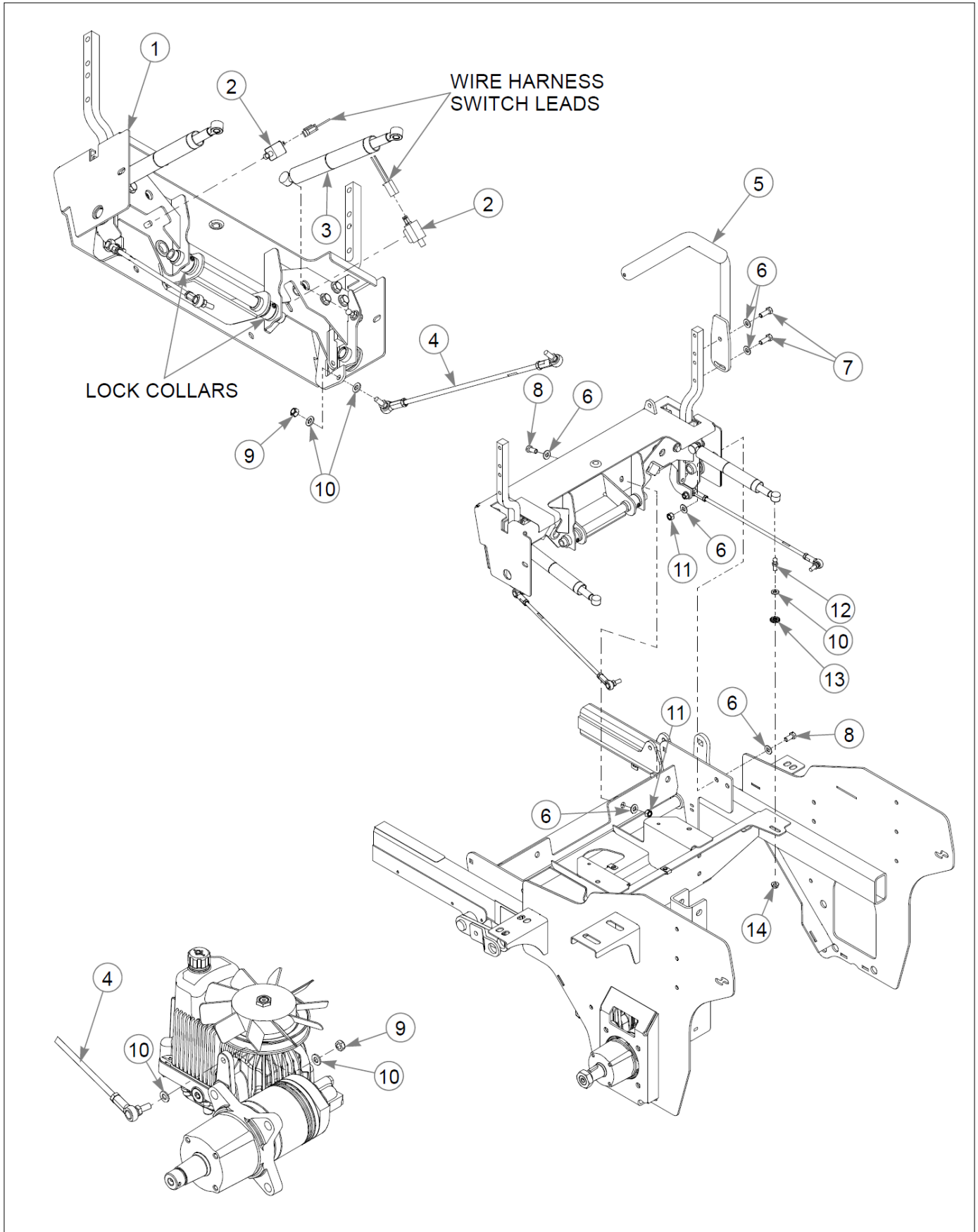
1. Torque to 96–102 N•m. The tensioner should pivot freely.

Hydraulic & Steering



Elemento	Parte n.	Nome	Q.ta	Udm
1	604132	SERVICE KIT, FAN/PULLEY	1	EA
2	604131	RESERVIOR CAP	1	EA
3	604126	FILTER	1	EA
4	604130	PLUG & O-RING ASSEMBLY	1	EA
5	064337	ROSS WOODRUFF KEY	1	EA
6	065516	ROSS CASTLE NUT	1	EA
7	606461	CONTROL LEVER PARKER	1	EA

Hydraulic & Steering



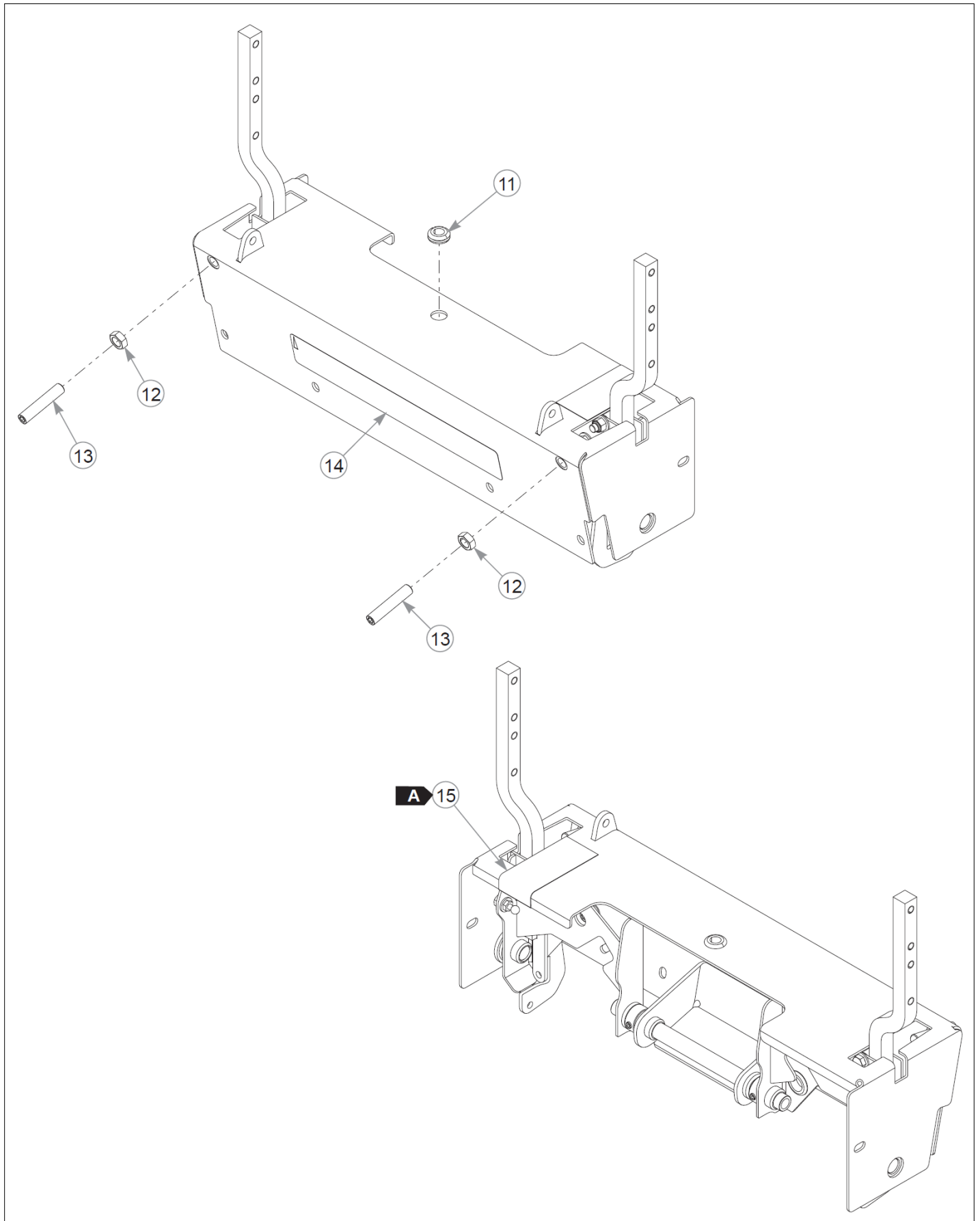
Elemento	Parte n.	Nome	Q.ta	Udm
1	N/A	STEERING ASSEMBLY	1	EA
2	601087	SWITCH, PLUNGER N.O.	2	EA
3	795351	DAMPER, CENTERING	2	EA
4	606521	PUMP ROD ASSEMBLY	2	EA
5	605924	STEERING BAR W/A	2	EA
Not Shown	781260	GRIP, STEERING BAR	2	EA
6	767954	FW 0.379 x 0.813 x 0.063	12	EA
7	036244	CS .375-16X1.000HXG5	4	EA
8	055822	CS .375-16X0.750HXG5	4	EA
9	023655	NT .312-24NLG5	4	EA
10	768523	FW 0.343SAE	10	EA
11	054502	NT .375-16HXG5	4	EA
12	781922	BALL STUD, DAMPER	2	EA
13	029876	LW 0.312 INT-EXT	2	EA
14	016832	NT .312-18FLKG5	2	EA

Comments for Page: Steering

jmumford@excelii.com on Oct 11, 2016

1. The steering arm includes the grip.

Elemento	Parte n.	Nome	Q.ta	Udm
1	112895	STEERING COVER W/A, SZ	1	EA
2	781153	BUSHING, UHMW	2	EA
3	784439	LOCK COLLAR,0.757 ID(FS)	2	EA
4	113007	STEER PIVOT TUBE, SZ	1	EA
5	034272	NT .312-18HXG5	2	EA
6	768523	FW 0.343SAE	4	EA
7	603078	FW .750x 1.500x .156 ZN	2	EA
8	781922	BALL STUD, DAMPER	2	EA
9	N/A	STEERING BOX SUB, LH	1	EA
10	N/A	STEERING BOX SUB, RH	1	EA
11	080358	GM .50X1.00X.75X.12	1	EA
12	053199	NT .500-13JAMG5	2	EA
13	603055	SS .500-13X 2.50 SH ZNYC	2	EA
14	605087	DECAL, X-ONE	1	EA
15	722199	POLYURETHANE 2" (FS)	5.5"	FT



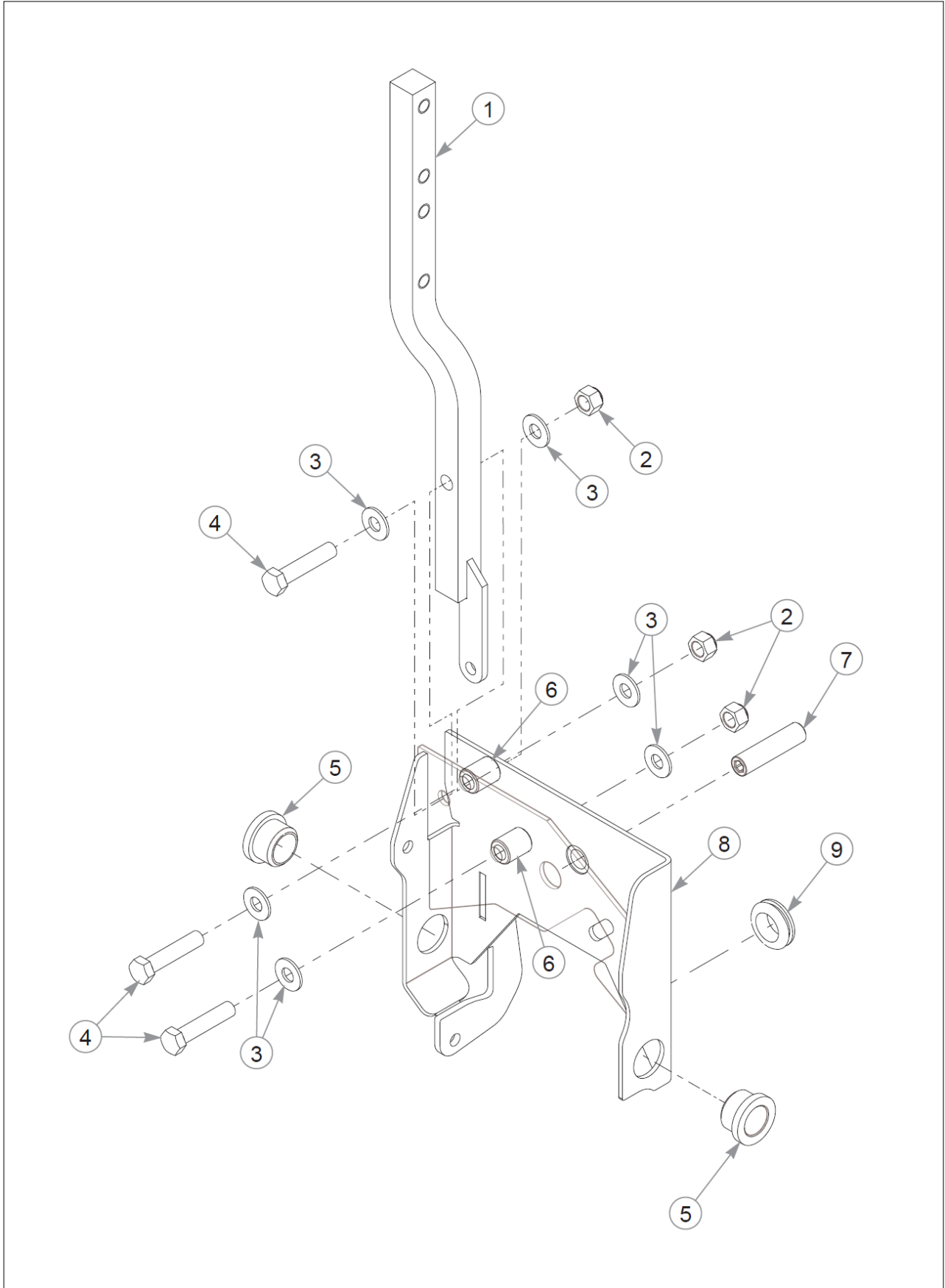
Comments for Page: Steering Cover Assembly (Multi-Page)

jmumford@excelii.com on Jan 30, 2017

WEAR TAPE LENGTH

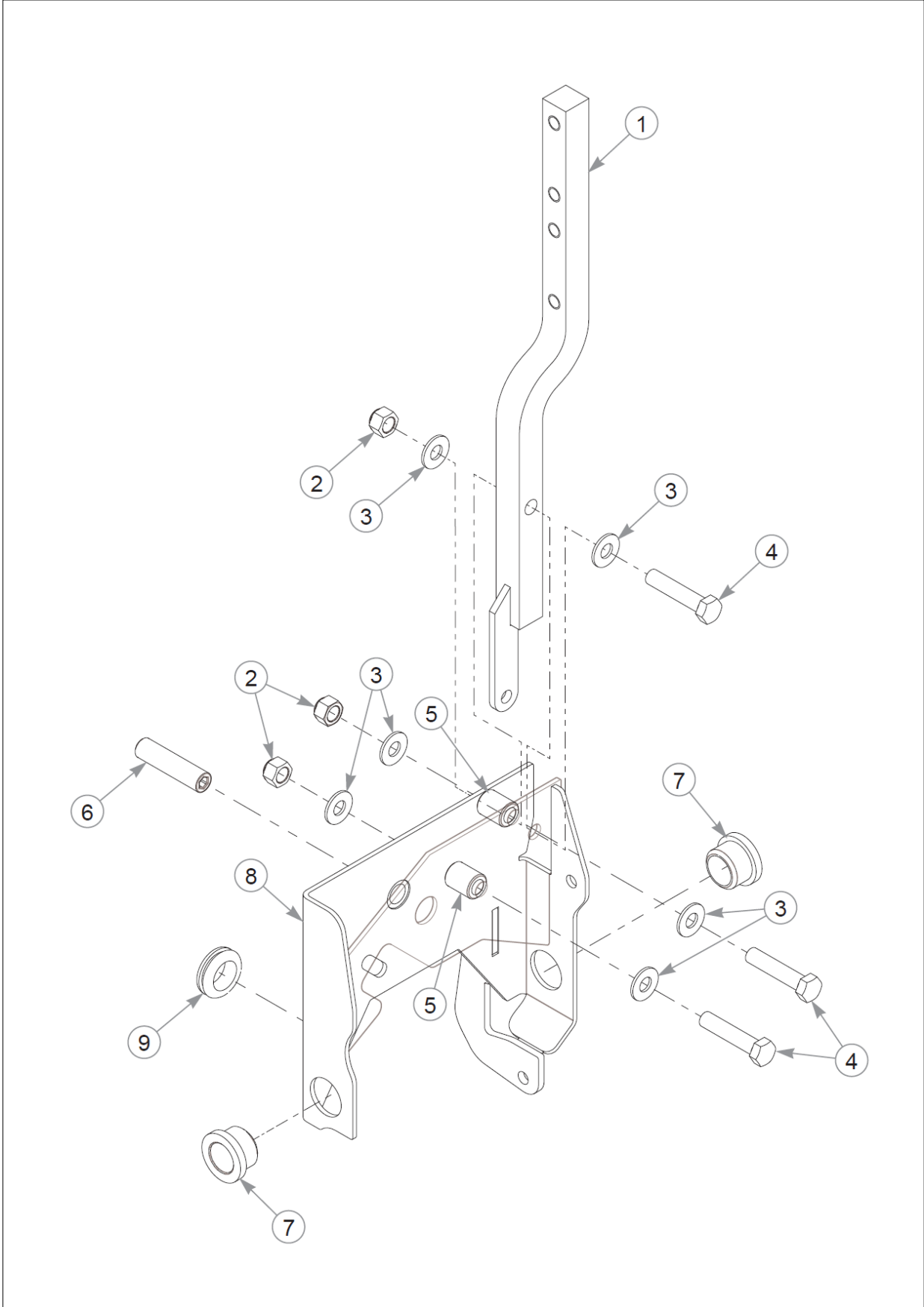
A: 14 cm \pm 0.8 cm

Hydraulic & Steering



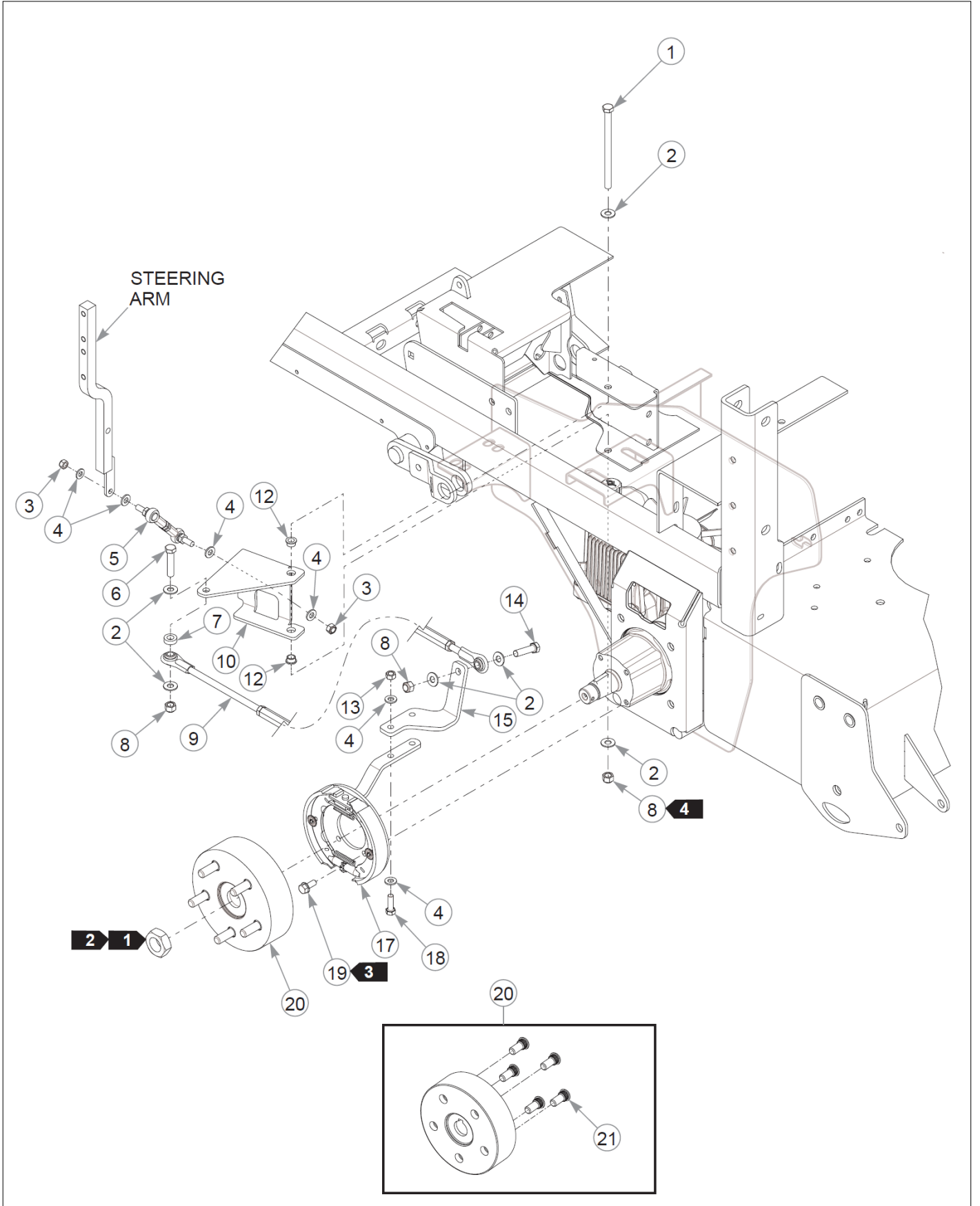
Elemento	Parte n.	Nome	Q.ta	Udm
1	113578	STEERING ARM W/A, HZ	2	EA
2	086660	NT .375-16NLG8	3	EA
3	767954	FW 0.379 x 0.813 x 0.063	6	EA
4	705178	CS .375-16X1.750HXG5	3	EA
5	781153	BUSHING, UHMW	2	EA
6	348862	STEERLEVER BUSHING (PLA	2	EA
7	797738	SS .500-13X2.000SH	1	EA
8	123305	STEERING BOX W/A, LH	1	EA
9	047456	GM .750X.188X1.00X.12	1	EA

Hydraulic & Steering



Elemento	Parte n.	Nome	Q.ta	Udm
1	113578	STEERING ARM W/A, HZ	1	EA
2	086660	NT .375-16NLG8	3	EA
3	767954	FW 0.379 x 0.813 x 0.063	6	EA
4	705178	CS .375-16X1.750HXG5	3	EA
5	348862	STEERLEVER BUSHING (PLA	2	EA
6	797738	SS .500-13X2.000SH	1	EA
7	781153	BUSHING, UHMW	2	EA
8	123306	STEERING BOX W/A, RH	1	EA
9	047456	GM .750X.188X1.00X.12	1	EA

Hydraulic & Steering



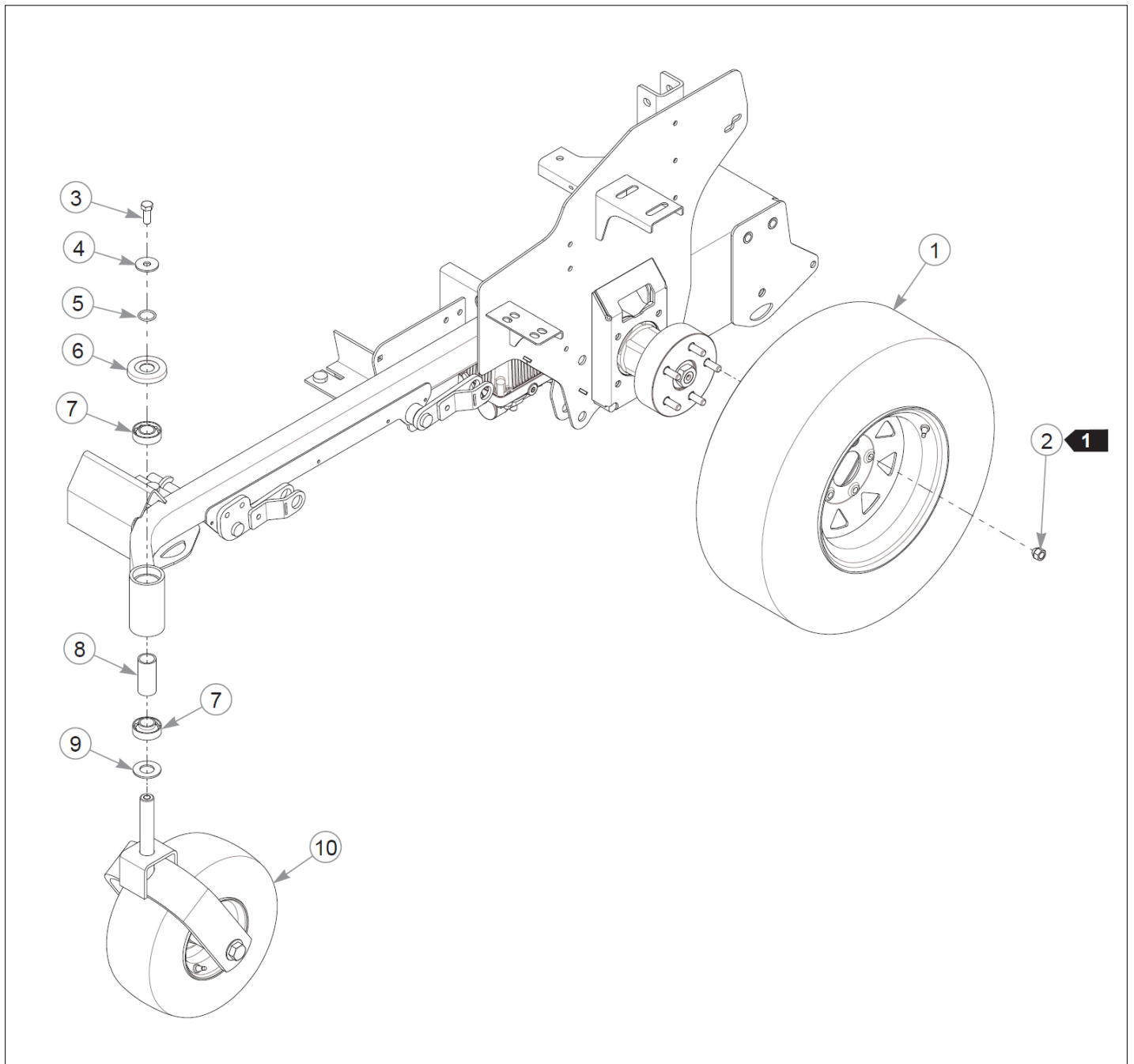
Elemento	Parte n.	Nome	Q.ta	Udm
1	748913	CS .375-16x5.50 GR5 ZN	2	EA
2	767954	FW 0.379 x 0.813 x 0.063	12	EA
3	023655	NT .312-24NLG5	4	EA
4	768523	FW 0.343SAE	16	EA
5	781583	BRAKE ROD ASSEMBLY	2	EA
6	705178	CS .375-16X1.750HXG5	2	EA
7	073858	FW .406X .750X.250 ZNYC	2	EA
8	086660	NT .375-16NLG8	6	EA
9	350397	BRAKE LINK TURNBUCKLE A	2	EA
10	123435	BELLCRANK, BRAKE - LH	1	EA
11	123434	BELLCRANK, BRAKE - RH	1	EA
12	765339	BUSHING,IGUS#0608 (FS)	4	EA
13	034272	NT .312-18HXG5	4	EA
14	080655	CS .375-16X1.500HXG5	2	EA
15	123432	BRAKE ARM, LH	1	EA
16	123433	BRAKE ARM, RH	1	EA
17	602383	BRAKE ASSY, PARKER	2	EA
18	036236	CS .312-18X1.000HXG5	4	EA
19	604461	CS .312-18X.75HXG8 FLK	8	EA
20	602384	HUB ASSY, PARKER	2	EA
21	601085	STUD, WHEEL LUG 1/2-20	10	EA

Comments for Page: Brake

jmumford@excelii.com on Jan 30, 2017

1. Included with the wheel motor.
2. Torque to 298–325 N•m.
3. Torque to 34–38 N•m.
4. Do not torque; the nut should be snug but allow the brake bellcrank to pivot freely.
5. The hub assembly includes the studs.

Wheels & Tires



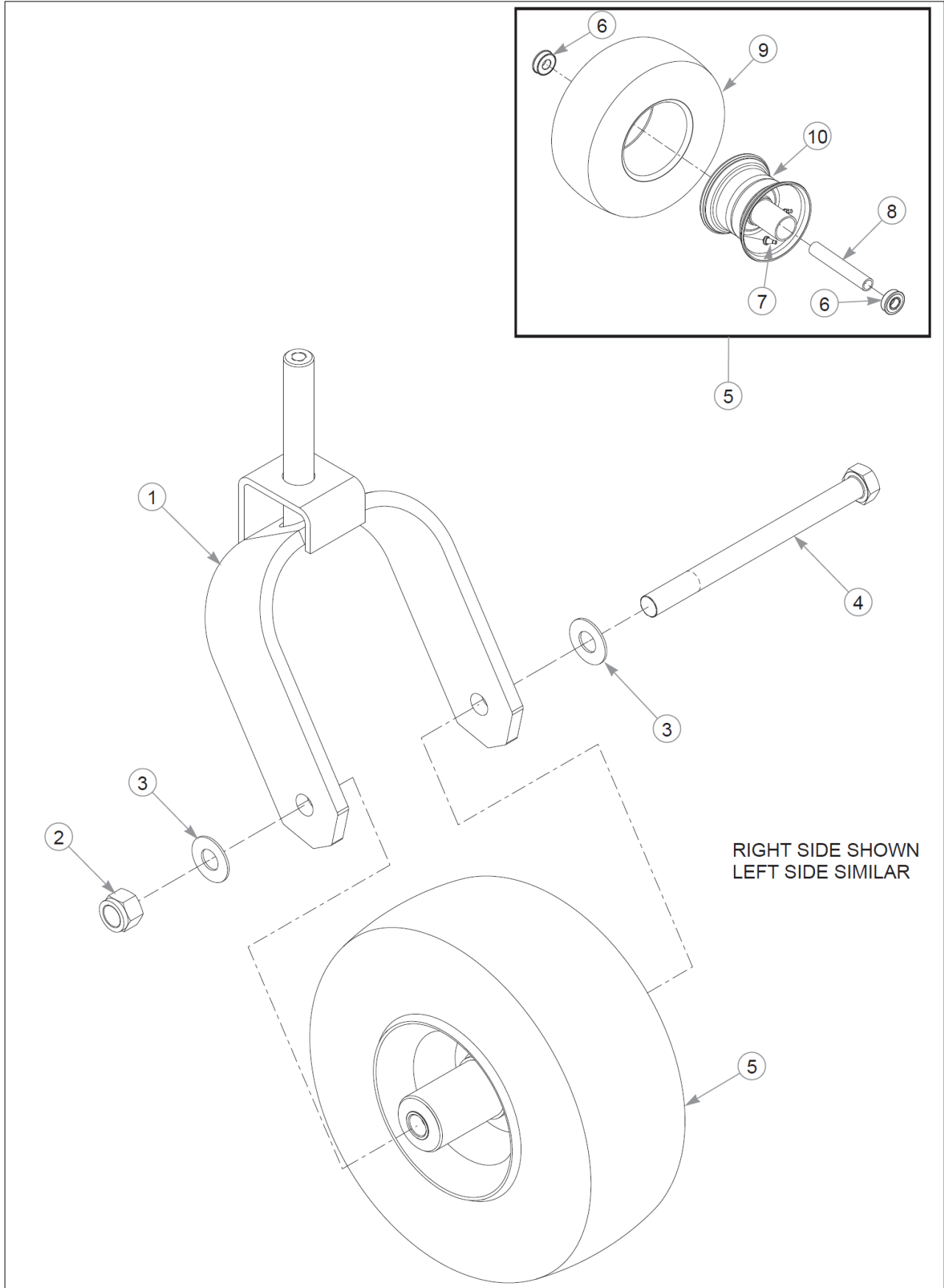
Elemento	Parte n.	Nome	Q.ta	Udm
1	604106	WHEEL/TIRE ASSY	2	EA
2	061077	WHEEL NUT	10	EA
3	705954	CS .500-13X1.250HSG5	2	EA
4	798603	FW .515X1.65X.125 HD ZY	2	EA
5	601375	O-RING, SAE-14	2	EA
6	603153	DUST CAP, SZ CASTER	2	EA
7	784223	BEARING	4	EA
8	387035	SPACER, 1.07x1.312x2.79	2	EA
9	603164	BEARING DISC, FORK	2	EA
10	N/A	FRONT TIRE S/A	1	EA

Comments for Page: Wheel & Tire

jmumford@excelii.com on Jan 30, 2017

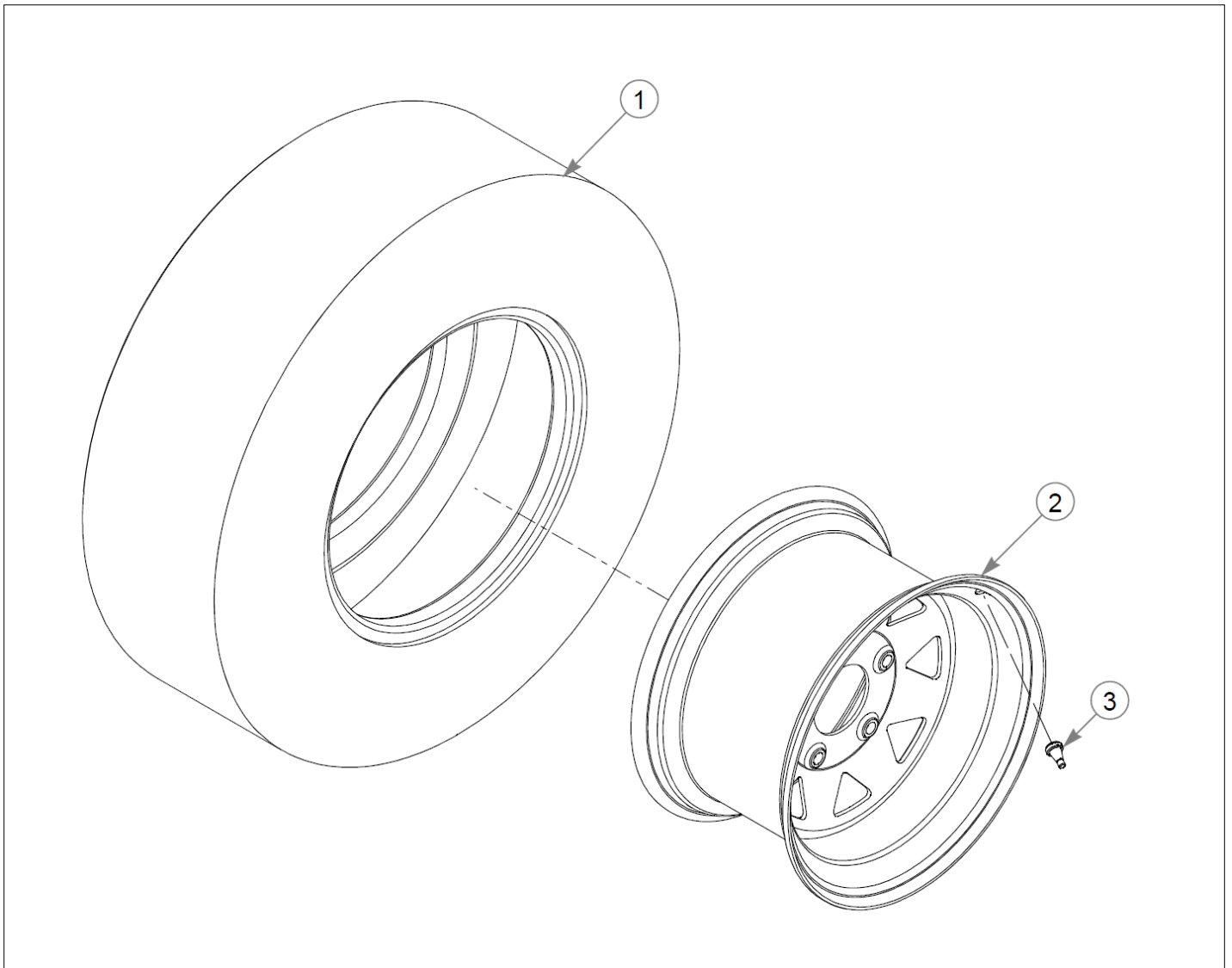
1. Torque to 88–102 N•m.

Wheels & Tires



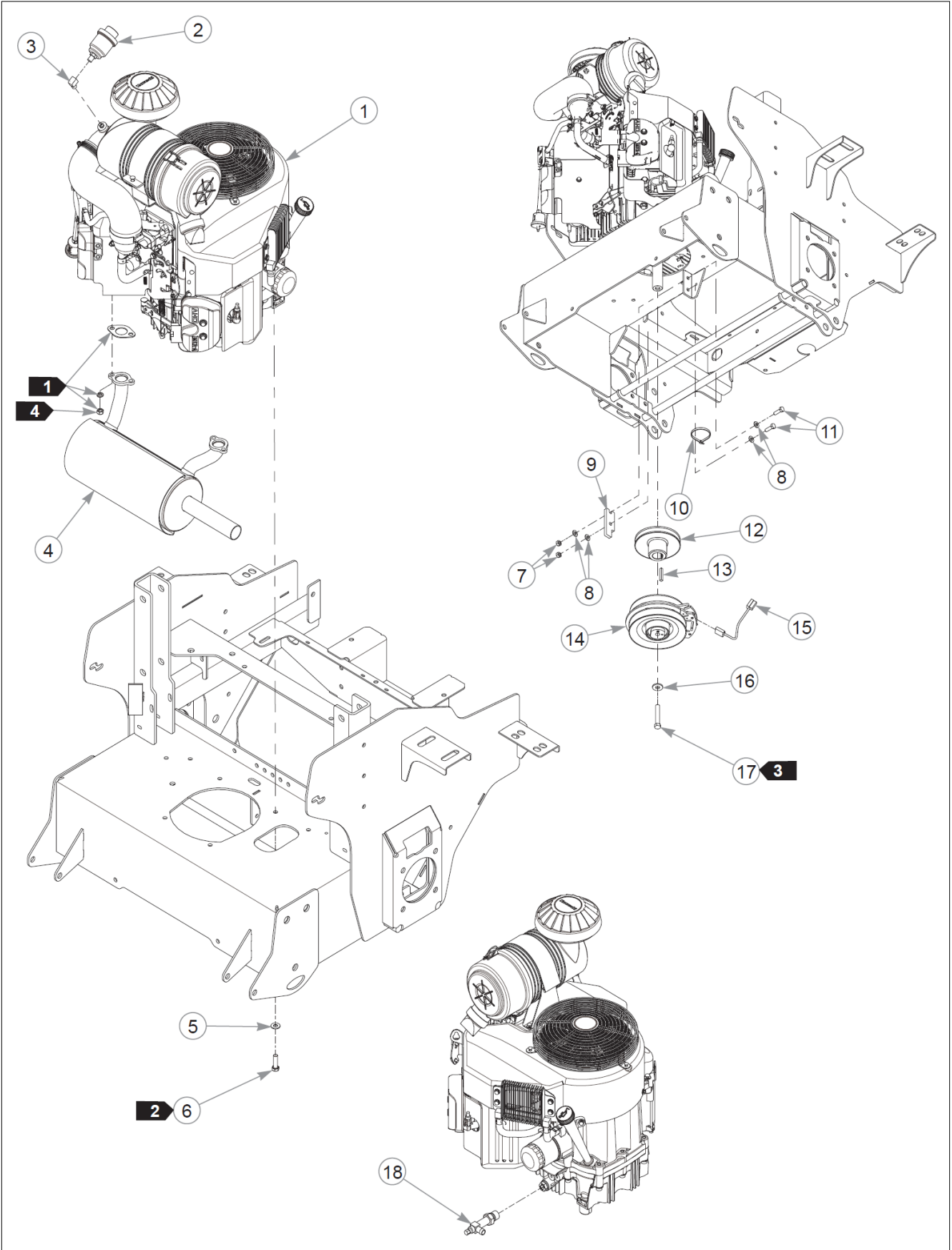
Elemento	Parte n.	Nome	Q.ta	Udm
1	116890	FORK W/A	1	EA
<p>Commenti per num parte 116890</p> <p>brian on Nov 11, 2014 Heavy Duty Fork</p>				
Not Shown	113621	FORK, W/A SZ 2011	1	EA
<p>Commenti per num parte 113621</p> <p>brian on Dec 9, 2014 Standard Fork.</p>				
2	061101	NT .750-10 HX ZY NL GR B	1	EA
3	025296	FW .760X1.625X0.080	2	EA
4	041475	CS .750-10X9.50 HXZY	1	EA
5	604898	TIRE/WHEEL 13X6.50 SMH	1	EA
<p>Commenti per num parte 604898</p> <p>brian on Oct 18, 2016 NOTE: Grease zerk is not available for purchase from Excel. Contact your local parts supply store for replacement zerk.</p>				
6	039677	WHEEL BEARING	2	EA
7	019521	TIRE VALVE TR-412 GOODY	1	EA
8	782771	SPACER, BEARING (SERV P	1	EA
9	604843	TIRE 13X6.50-6 SMOOTH	1	EA
10	747832	WHEEL 6 X 4.5	1	EA

Wheels & Tires

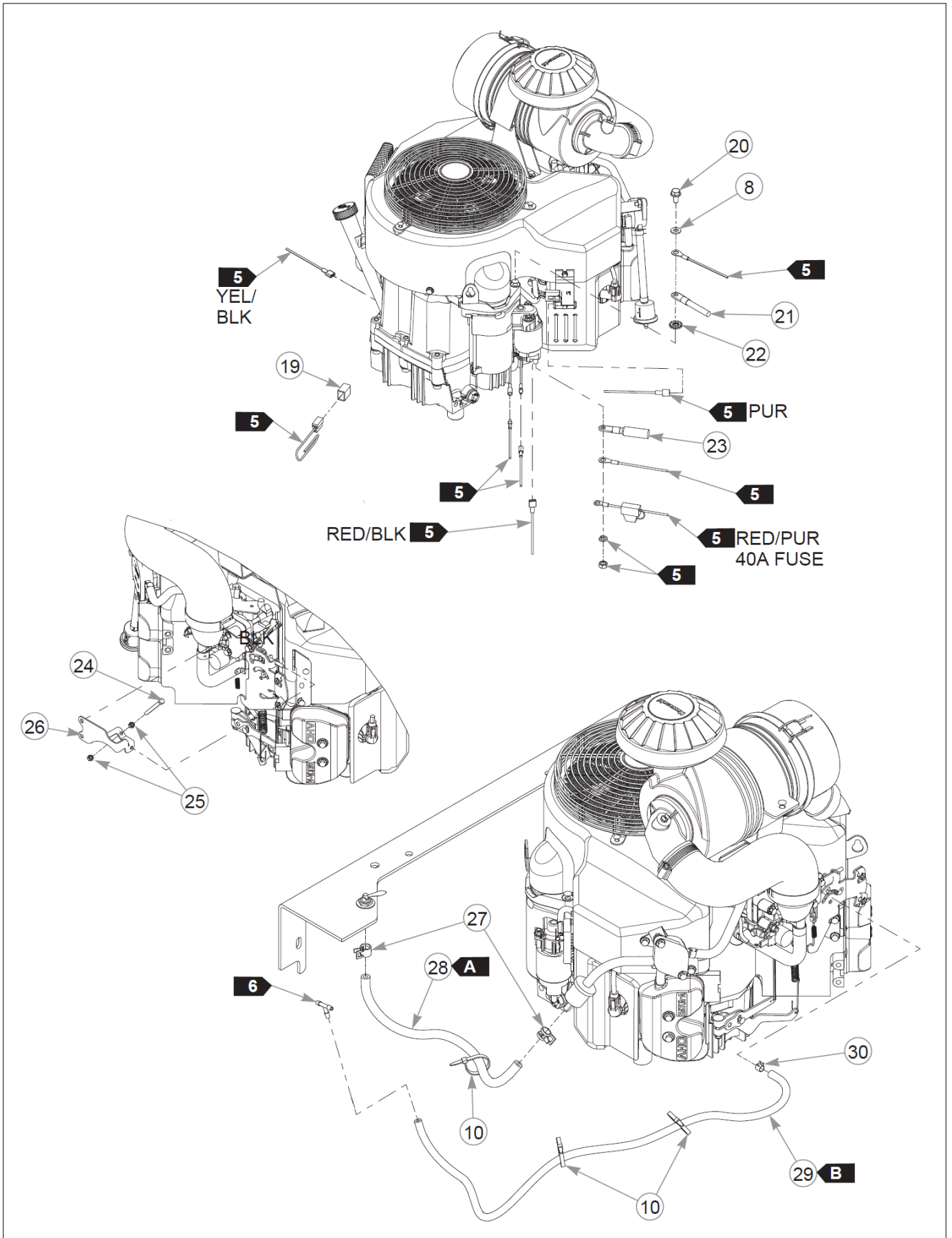


Elemento	Parte n.	Nome	Q.ta	Udm
1	782284	TIRE 24 X 9.50-12	1	EA
2	604107	WHEEL	1	EA
3	019521	TIRE VALVE TR-412 GOODY	1	EA

Engine & Fuel Tank

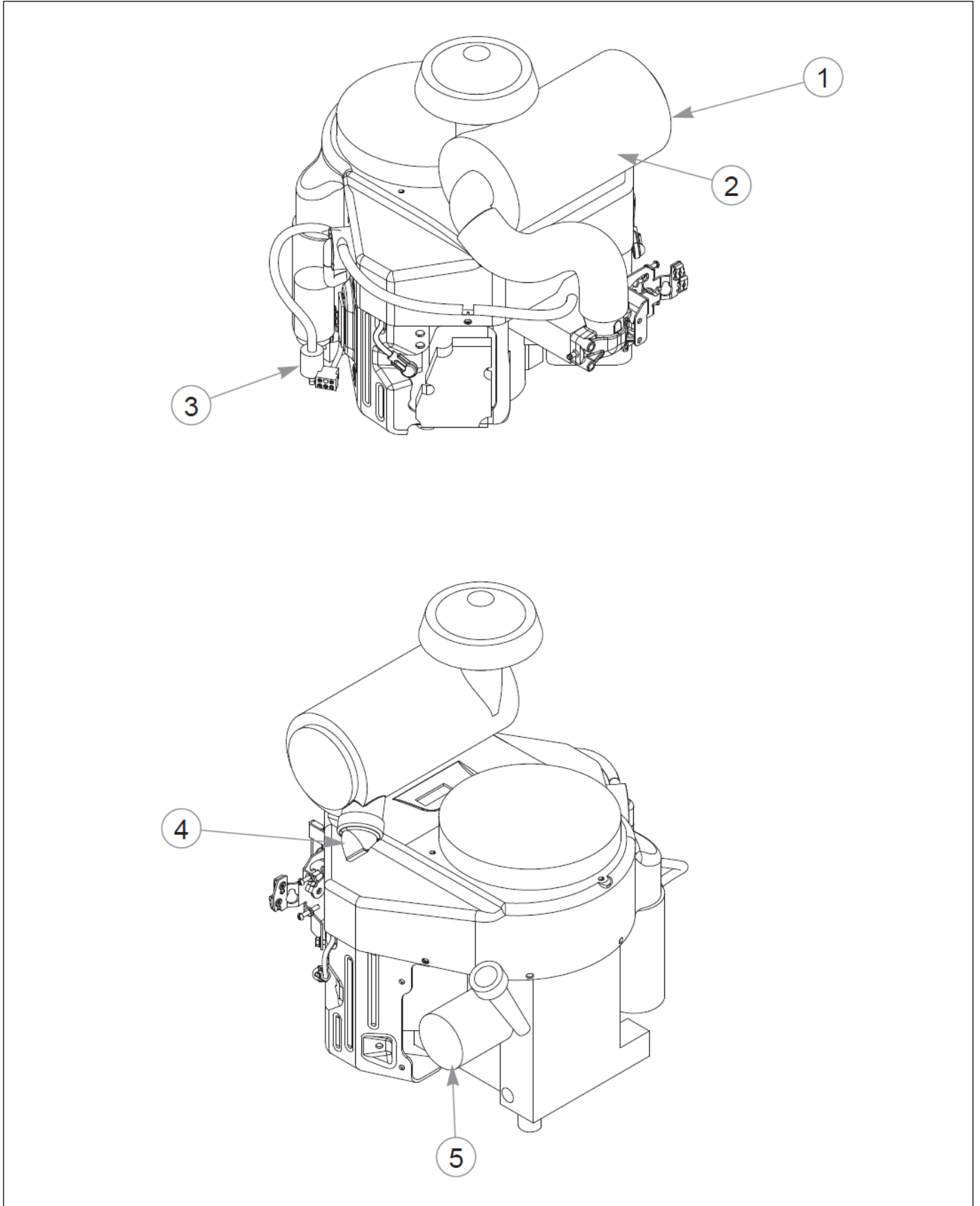


Elemento	Parte n.	Nome	Q.ta	Udm
1		ENGINE, KAW FX850V	1	EA
2	788943	AIR FILTER INDICATOR	1	EA
3	601216	FTG, ELBOW, STREET	1	EA
4	603012	MUFFLER, FX850V	1	EA
5	767954	FW 0.379 x 0.813 x 0.063	4	EA
6	602580	CS .375-16x1.25 HXG8 P85	4	EA
7	034272	NT .312-18HXG5	2	EA
8	768523	FW 0.343SAE	5	EA
9	113946	CLUTCH ANCHOR	1	EA
10	000331	WIRE TIE, SMALL/SHORT	4	EA
11	036236	CS .312-18X1.000HXG5	2	EA
12	606471	PULLEY, ENG 5.318 OP	1	EA
13	212076	KEY 1/4 SQ X 1.50 LG(FS)	1	EA
14	606404K	CLUTCH KIT	1	EA
15	791251	HARNESS, CLUTCH PIGTAIL	1	EA
<p>Commenti per num parte 791251</p> <p>brian on Aug 28, 2015</p> <p>Pigtail was updated with epoxy to hold the wires steady. The wire sheath was also updated to a more flexible material.</p>				
16	602680	FW .453X 1.12X .119 HRD	1	EA
17	785659	CS .437-20X2.50 HXG5 P85	1	EA
18	796524	VALVE,OIL DRAIN M20x2.5	1	EA
19	789131	CAP, HUSTLRZ FAN CON(FS)	1	EA
20	720516	CS M8-1.25X16HX FL10.9	1	EA
21	796219	BATTERY CABLE,NEG 36" D	1	EA
22	029876	LW 0.312 INT-EXT	1	EA
23	744276	BATTERY CABLE POSITIVE	1	EA
24	603524	CS M5-0.8 X 50 MM	1	EA
25	048934	NT M5-0.8 HX GRD 8.8 ZN	2	EA



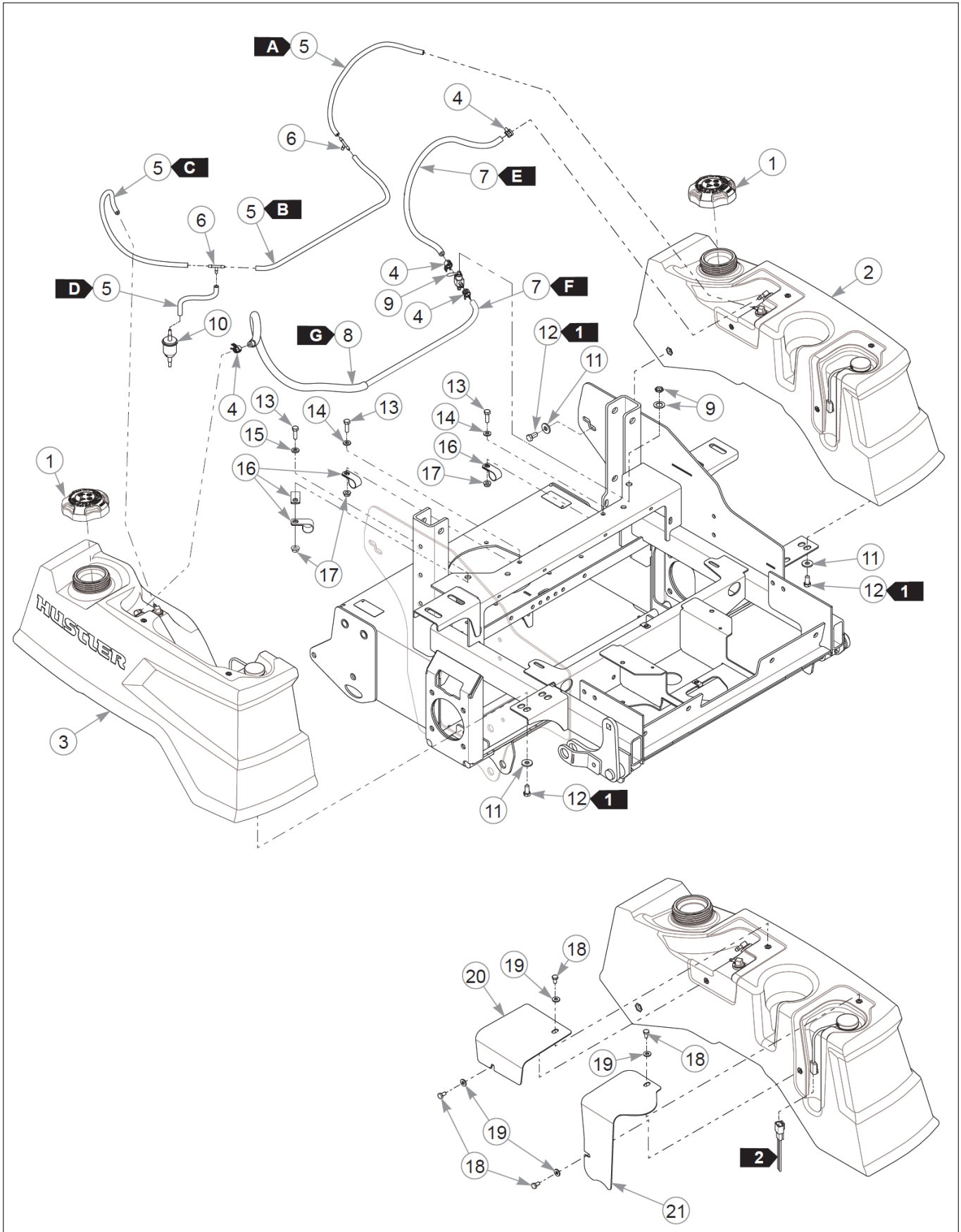
Elemento	Parte n.	Nome	Q.ta	Udm
26	120231	BRACKET, THROTTLE FX850V	1	EA
27	000323	CLIP, HOSE CLAMP	2	EA
28	015818	FUEL LINE, 1/4"	42 cm	IN
29	603326	VAPOR LINE, 3/16"	81 cm	FT
30	603112	CLAMP, 3/16 FUEL	1	EA

Engine & Fuel Tank



Elemento	Parte n.	Nome	Q.ta	Udm
1	785261	AIR FLTR ELEMENT - MAIN	1	EA
2	785279	AIR FLTR ELEMENT -SAFETY	1	EA
3	068478	FUEL FILTER IN-LINE	1	EA
4	763318	VALVE, VACUATOR (SERV P	1	EA
5	603138	OIL FILTER, KAW	1	EA
6	606531	FUEL STABILIZER, CARTON		EA
<p>Commenti per num parte 606531</p> <p>brian on Sep 14, 2017</p> <p>CONTAINS 6 - 8 FL. OZ. BOTTLES PER CASE</p>				
7	606535	OIL 10W-30, CARTON		EA
<p>Commenti per num parte 606535</p> <p>brian on Sep 14, 2017</p> <p>CONTAINS 12 - 1 U.S. QUART BOTTLES PER CASE</p>				

Engine & Fuel Tank



Elemento	Parte n.	Nome	Q.ta	Udm
1	603807	CAP, 3.5" RATCHETING GAS	2	EA
2	606434	TANK, FENDER LH ASSY	1	EA
3	606433	TANK, FENDER RH ASSY	1	EA
4	000323	CLIP, HOSE CLAMP	4	EA
5	603326	VAPOR LINE, 3/16"	182 cm	FT
6	604281	TEE, 3/16" PLASTIC	2	EA
7	015818	FUEL LINE, 1/4"	170 cm	IN
8	605215	FUEL LINE THERMAL SHIELD	69 cm	FT
9	745059	FUEL VALVE 3-WAY	1	EA
10	604323	FILTER, VAPOR SYSTEM	1	EA
11	712919	FW 0.406X1.000X0.120HD	10	EA
12	055822	CS .375-16X0.750HXG5	10	EA
13	036236	CS .312-18X1.000HXG5	3	EA
14	768523	FW 0.343SAE	2	EA
15	767954	FW 0.379 x 0.813 x 0.063	1	EA
16	043570	CLIP - HOSE - SINGLE(FS)	4	EA
17	016832	NT .312-18FLKG5	3	EA
18	055947	CS .250X20X0.500HXG5	4	EA
19	768515	FW 0.281SAE	4	EA
20	123182	COVER, FUEL LINES	1	EA
21	123181	COVER, FUEL SENDER	1	EA
22	000331	WIRE TIE, SMALL/SHORT	2	EA

Comments for Page: Fuel System

jnumford@excelii.com on Jan 30, 2017

FUEL & VAPOR LINE LENGTHS

A: 48 cm LEFT TANK TO TEE (VAPOR)

B: 61 cm TEE TO TEE (VAPOR)

C: 56 cm RIGHT TANK TO TEE (VAPOR)

D: 17 cm TEE TO FILTER (VAPOR)

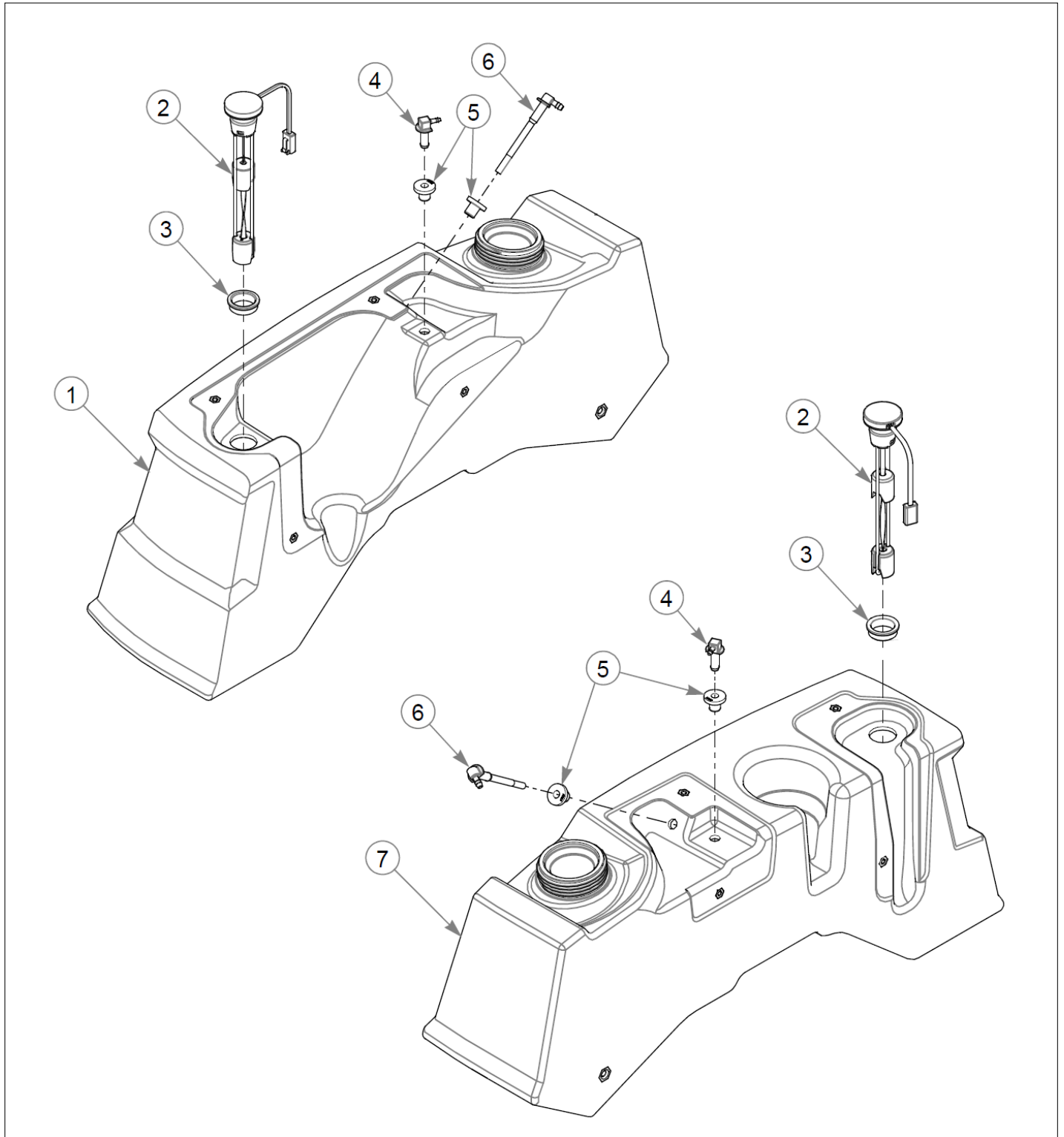
E: 58 cm LEFT TANK TO VALVE (FUEL)

F: 112 cm RIGHT TANK TO VALVE (FUEL)

G: 69 cm FUEL LINE THERMAL SHIELD

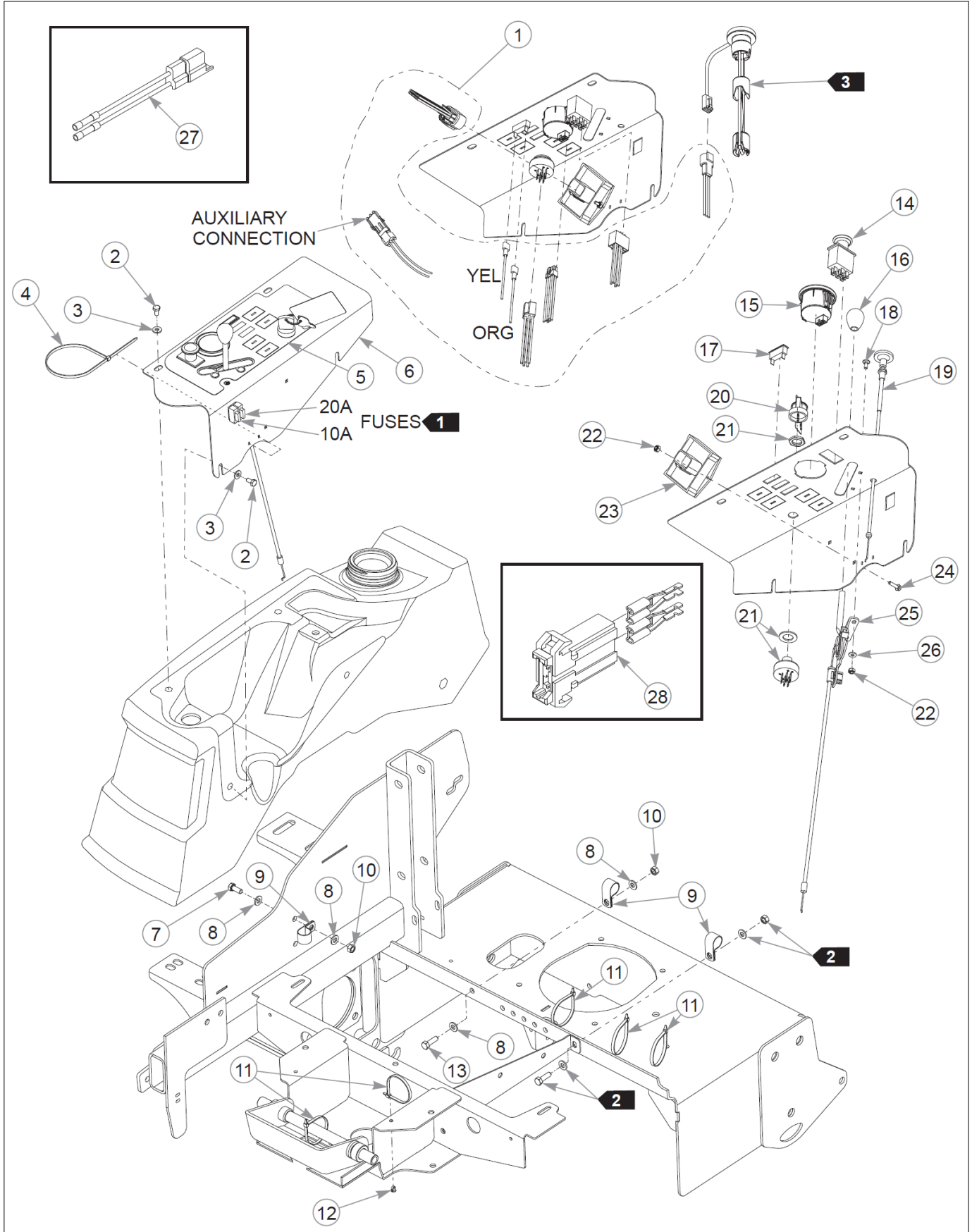
1. Torque to 22 N•m.
2. Part of the wire harness.

Engine & Fuel Tank



Elemento	Parte n.	Nome	Q.ta	Udm
1	606433	TANK, FENDER RH ASSY	1	EA
2	603888	FUEL SENDER	2	EA
<p>Commenti per num parte 603888</p> <p>jmumford@excelii.com on Jul 8, 2014</p> <p>When replacing the Fuel Sender, also replace 605648 Fuel Grommet.</p>				
3	605648	GROMMET, FUEL	2	EA
4	604287	VENT FITTING, 3/16" BARB	2	EA
5	604200	VITON GROMMET	4	EA
6	605159	SUCTION HOSE ASSY 20.5	2	EA
7	606434	TANK, FENDER LH ASSY	1	EA

Electrical



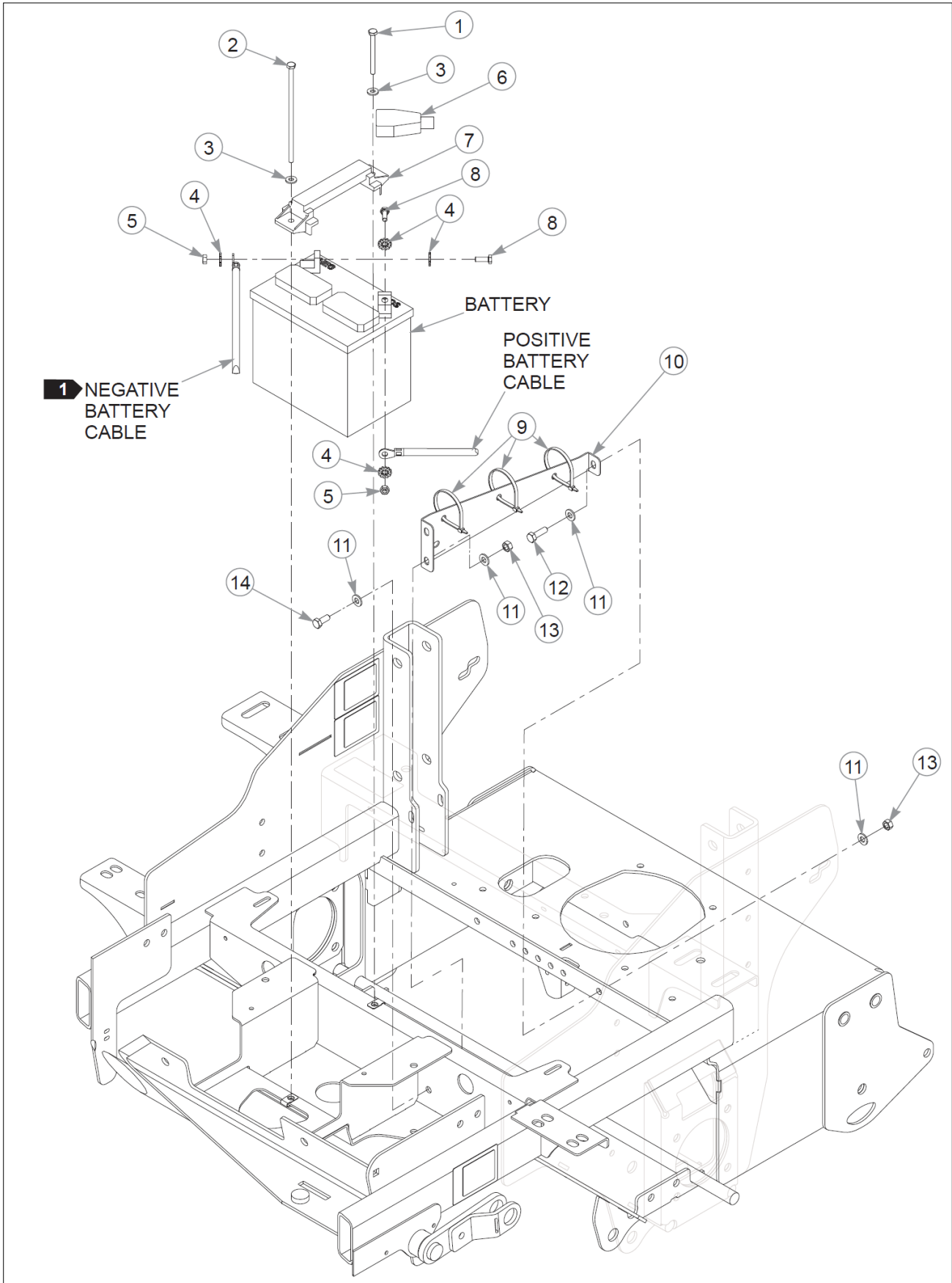
Elemento	Parte n.	Nome	Q.ta	Udm
1	604241	WIRE HARNESS, ATZ/SZ	1	EA
2	055947	CS .250X20X0.500HXG5	4	EA
3	768515	FW 0.281SAE	4	EA
4	000430	WIRE TIE, SMALL/LONG	1	EA
5	606466	DECAL, INSTR PANEL	1	EA
6	553845	SVC, INSTR PANEL	1	EA
7	034280	CS .312-18X0.750HXG5	1	EA
8	768523	FW 0.343SAE	4	EA
9	043570	CLIP - HOSE - SINGLE(FS)	3	EA
10	034272	NT .312-18HXG5	2	EA
11	000331	WIRE TIE, SMALL/SHORT	5	EA
12	604307	MOUNT, PUSH BUTTON	1	EA
13	036236	CS .312-18X1.000HXG5	1	EA
14	776476	SWITCH, PTO 6201-321	1	EA
15	606068	GUAGE, FUEL/HOURMETER	1	EA
16	603523	KNOB	1	EA
17	712257	INDICATOR LIGHT, RED(FS)	1	EA
18	601098	CB 10-24 X .500 ZYNC	2	EA
19	786657	CABLE, CHOKE	1	EA
20	785808	KEY ASSEMBLY	1	EA
21	045898	IGNITION SWITCH	1	EA
22	059832	NT #10-24 HX NL ZN	4	EA
23	604373	RELAY CONTROL MODULE	1	EA
24	063198	CS #10-24X0.750FLKG5	2	EA
25	603475	CABLE, THRTL 43"	1	EA
26	704932	FW 0.219X0.500X0.048	2	EA
27	114052	KIT, CLUTCH CONN. REP.	1	EA
28	601047	HOLDER, FUSE	1	EA

Comments for Page: Instrument Panel

jmumford@excelii.com on Oct 11, 2016

1. Part of the wire harness.
2. Part of the Battery Assembly.
3. Part of the Fuel Assembly.
4. The instrument panel includes the decal.

Electrical



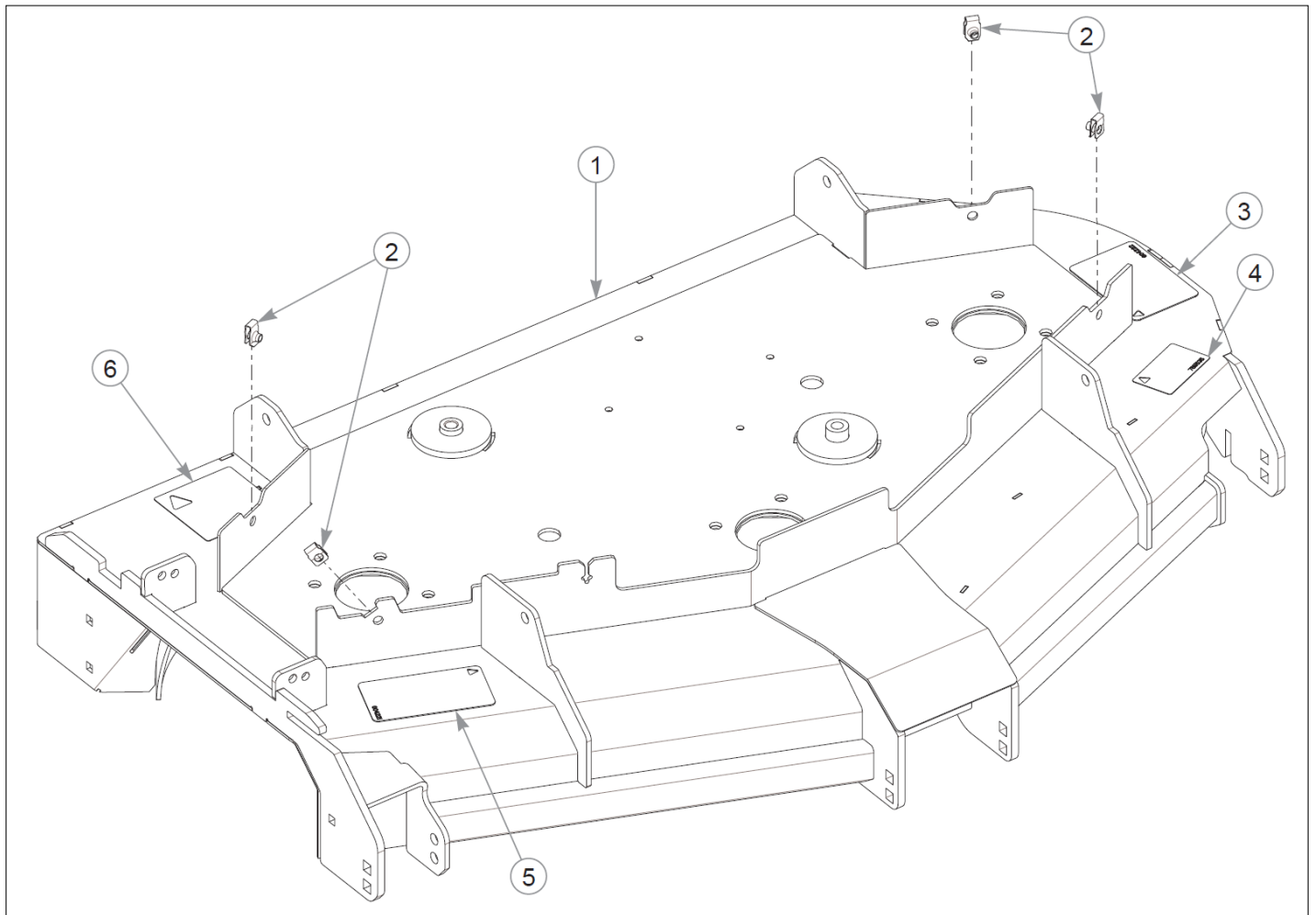
Elemento	Parte n.	Nome	Q.ta	Udm
1	794156	CS .250-20X2.750HXG5	1	EA
2	601930	CS .250-20 X 6.50 HX G5	1	EA
3	768515	FW 0.281SAE	2	EA
4	029868	LW0.250INTEXT	4	EA
5	024927	NT .250-20HXG5	2	EA
6	771428	BATTERY CBL BOOT-RED(FS)	1	EA
7	604178	STRAP, TIE DOWN	1	EA
8	055939	CS .250-20X0.750HXG5	2	EA
9	000331	WIRE TIE, SMALL/SHORT	4	EA
10	123179	SUPPORT, CABLE	1	EA
11	768523	FW 0.343SAE	6	EA
12	036236	CS .312-18X1.000HXG5	1	EA
13	034272	NT .312-18HXG5	3	EA
14	034280	CS .312-18X0.750HXG5	2	EA

Comments for Page: Battery

jmumford@excelii.com on Oct 11, 2016

1. Do not connect the negative battery cable to the battery until ready to start the engine.

Deck



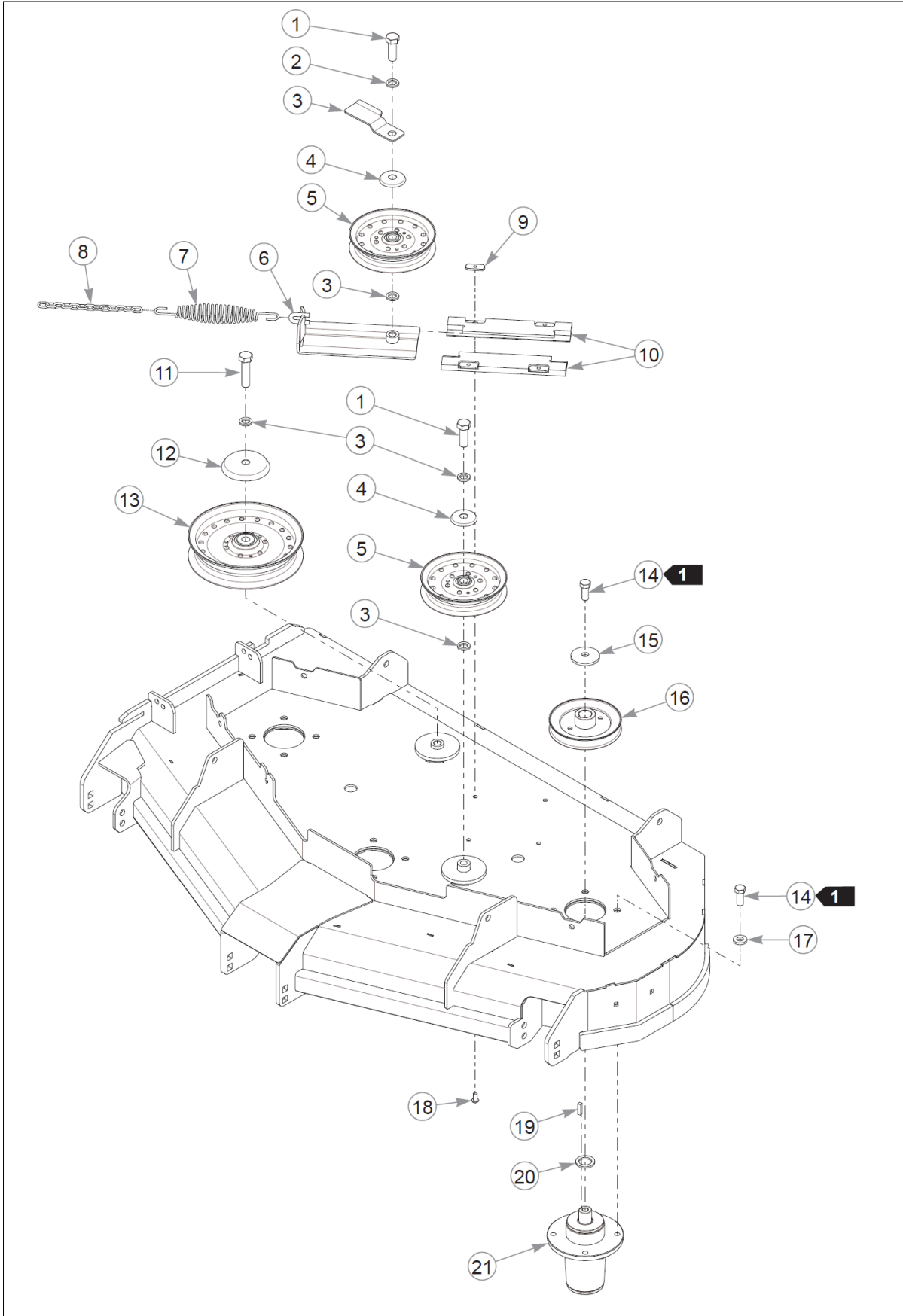
Elemento	Parte n.	Nome	Q.ta	Udm
1	553618	SVC, DECK DECAL 52"	1	EA
2	601069	CN .312-18x.200 MAX THK	4	EA
3	604222	DECAL, DANGER / OBJECTS	1	EA
4	785535	DECAL, 52 DECK ID	1	EA
5	604221	DECAL, DANGER / CHUTE	1	EA
6	781419	DECAL, BELT ROUTING	1	EA

Comments for Page: Service Deck

jmumford@excelii.com on Oct 11, 2016

1. The deck includes the decals.

Deck



Elemento	Parte n.	Nome	Q.ta	Udm
1	025007	CS .62511X1.750HXG5	2	EA
2	028118	FW 0.625X1.000X0.134	5	EA
3	606460	GUIDE, BELT	1	EA
4	602935	DUST SHIELD, IDLER SM	2	EA
5	602821	IDLER, 6.0" RIVETED	2	EA
6	350884	SLIDE, DECK IDLER	1	EA
7	781302	IDLER SPRING	1	EA
8	259812	CHAIN, 13 LINK	1	EA
9	603023	WN .312-18 ZN	4	EA
10	602936	IDLER SLIDE, UHMW	2	EA
11	025015	CS .625-11X2.500HXG5	1	EA
12	602963	DUST SHIELD, IDLER LG	1	EA
13	602838	IDLER, 8.0" RIVETED	1	EA
14	705954	CS .500-13X1.250HSG5	15	EA
15	752386	CW .515X 2.25X .204 BLK	3	EA
16	798967	PULLEY, B-SEC 5.44 EOD	3	EA
17	767962	FW .531 x 1.063 x .175	12	EA
18	603022	CS .312-18X.625 BH ZN	4	EA
19	212472	KEY 1/4 SQ X 1.00 LG(FS)	3	EA
20	045765	FW 1.030X1.500X0.134	3	EA
21	604255	SPINDLE ASSY, DUCTILE	3	EA

Commenti per num parte 604255

brian on Apr 15, 2015

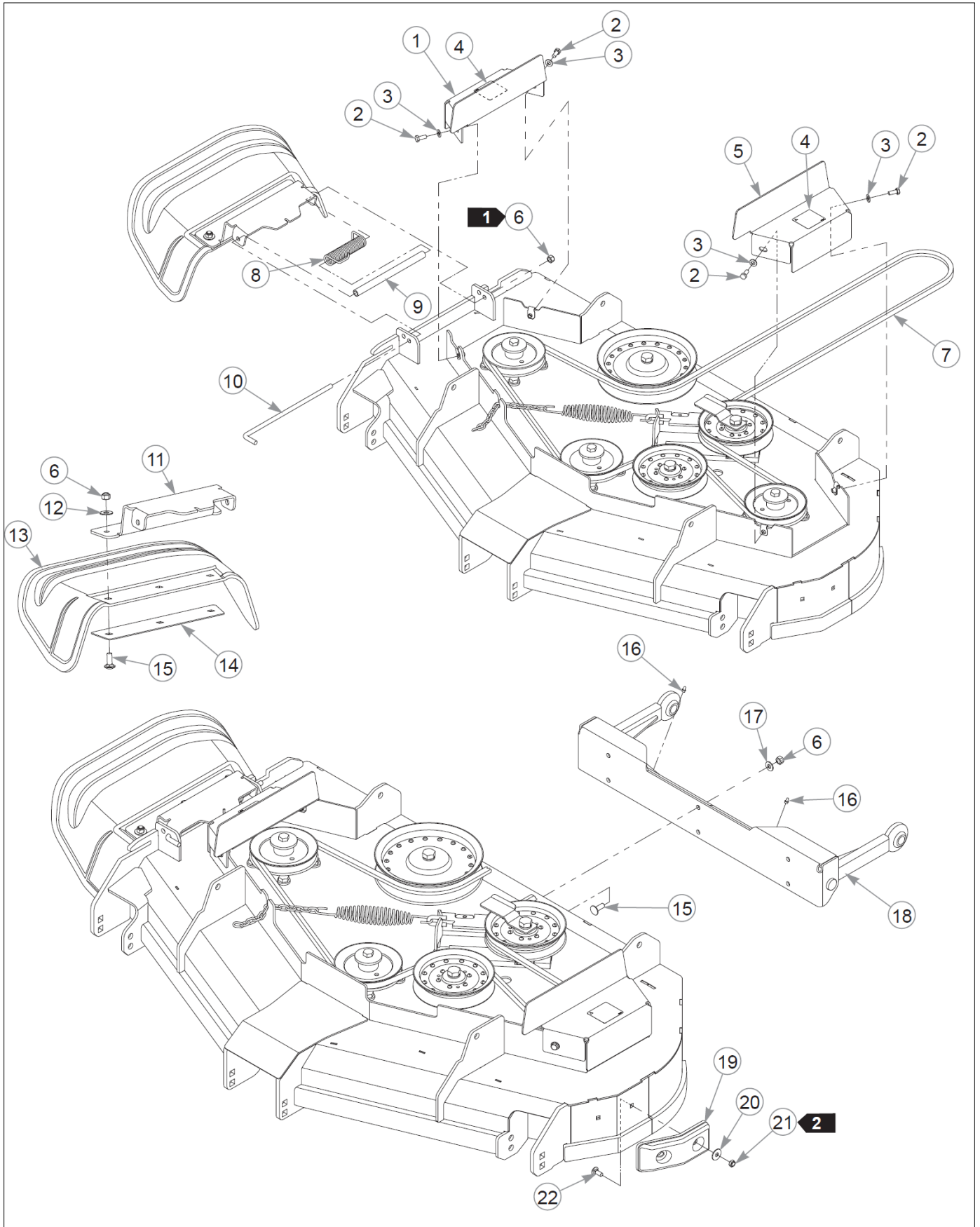
Spindle has no service parts available. Replace complete spindle assembly.

Comments for Page: Deck Pulleys & Spindles

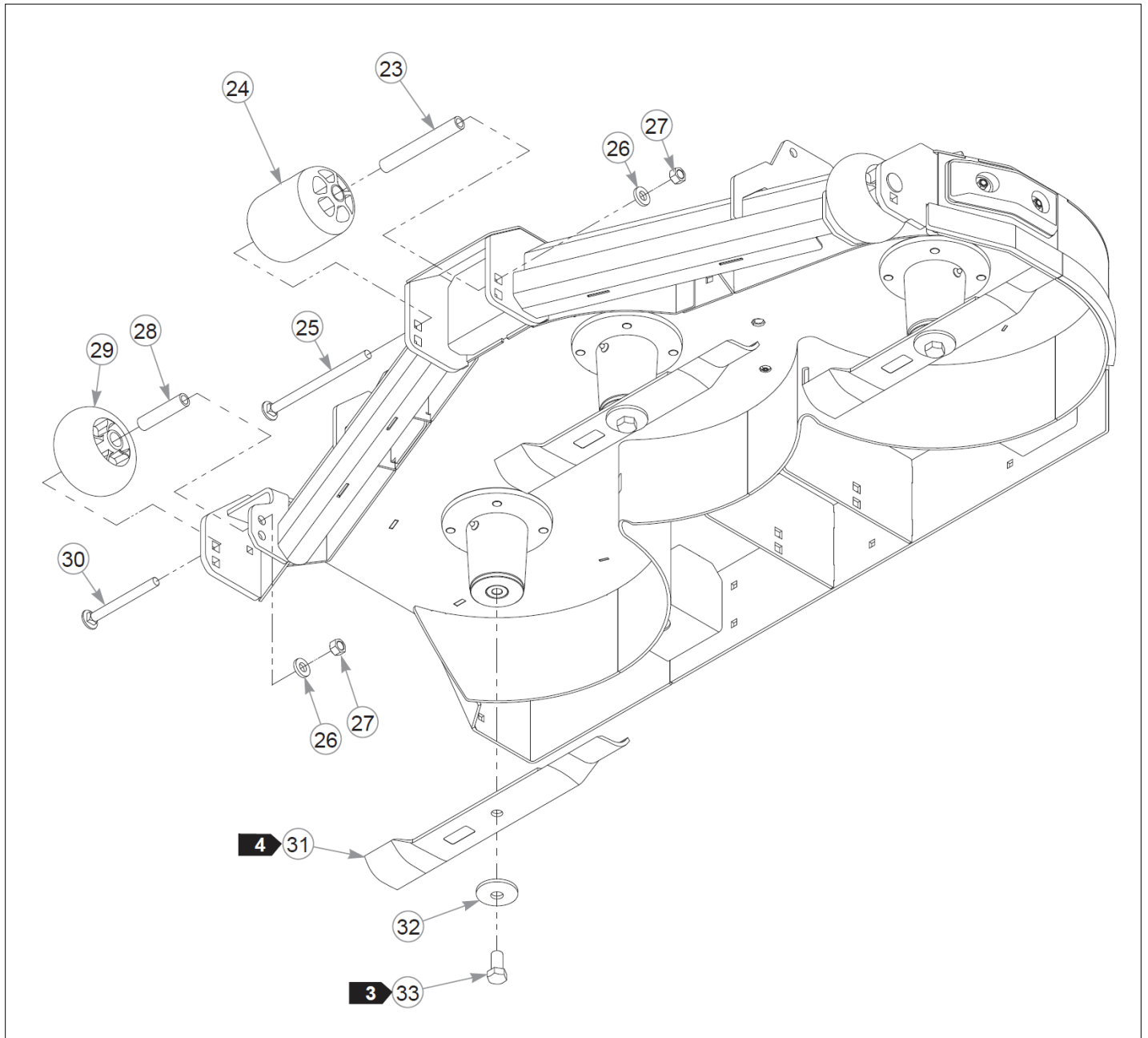
jmumford@excelii.com on Jan 30, 2017

1. Torque to 86–99 N•m.

Deck



Elemento	Parte n.	Nome	Q.ta	Udm
1	553770	SVC, PULLEY COVER CE RS	1	EA
2	034280	CS .312-18X0.750HXG5	4	EA
3	768523	FW 0.343SAE	4	EA
4	602562	DECAL, NO SERVICE	2	EA
5	553769	SVC, PULLEY COVER CE LS	1	EA
6	086660	NT .375-16NLG8	10	EA
7	602077	BELT, B 156.00" EL	1	EA
8	606192	SPRING, TORSION DISCHARG	1	EA
9	606166	RETAINER, CHUTE SPRING	1	EA
10	605936	PIN, CHUTE	1	EA
11	123039	BRKT, DISCHARGE CHUTE	1	EA
12	076422	FW 0.406X1.000X0.060	3	EA
13	605916	DISCHARGE CHUTE	1	EA
14	122148	BRKT, CHUTE BOTTOM	1	EA
15	025395	CB .375-16X 1.00 G5 ZNY	9	EA
16	015495	GREASE FITTING STRAIGHT	2	EA
17	767954	FW 0.379 x 0.813 x 0.063	6	EA
18	124086	PUSHER, W/A	1	EA
19	605376	DECK BUMPER	1	EA
20	079210	FW 0.344X1.000X0.060	2	EA
21	604251	NT .312-18 HXNL JAM G2ZN	2	EA
22	016253	CB .312-18X .750 FUL ZN	2	EA
23	602344	SPACER, ANTI- SCALP 5.73	1	EA
24	602341	WHEEL, ANTI-SCALP	1	EA
25	602338	CB .50-13 X 7.50 STD ZN	1	EA
26	767962	FW .531 x 1.063 x .175	3	EA
27	008193	NT .500-13HXG5	3	EA
28	602345	SPACER, ANTI-SCALP 3.22	2	EA
29	602263	WHEEL, ANTI-SCALP	2	EA



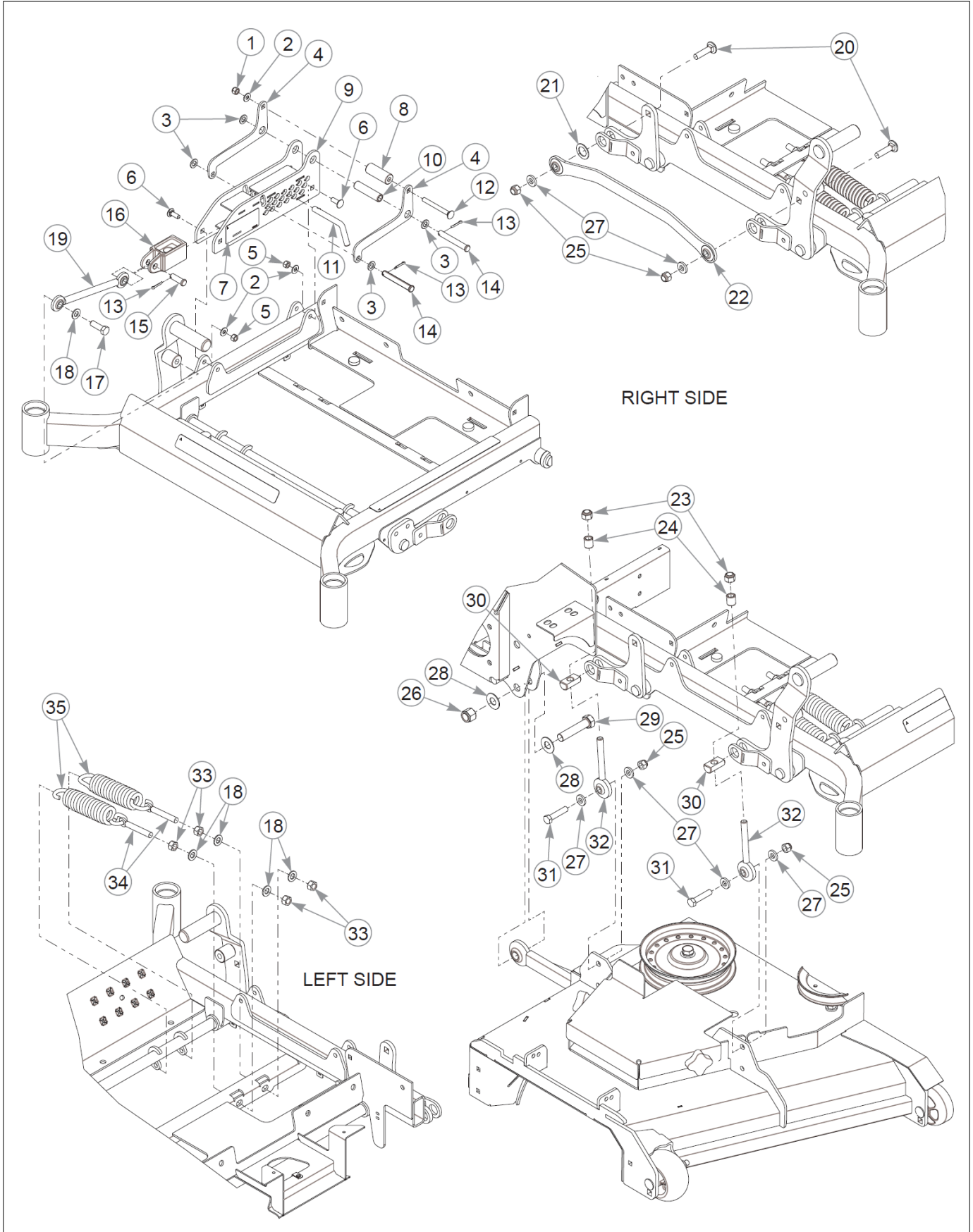
Elemento	Parte n.	Nome	Q.ta	Udm
30	603049	CB .500-13 X 5.00 ZNYC	2	EA
31	787721	BLADE,17.86"-H-F-CW	3	EA
Not Shown	794198	BLADE,17.86"-MUL-F-CW	3	EA
Not Shown	785436	BLADE,17.86"-GAT-F-CW	3	EA
32	782474	CW .678 X 2.250 X .187	3	EA
33	781872	CS .625-11X1.250HXG5	3	EA

Comments for Page: Deck (Multi-Page)

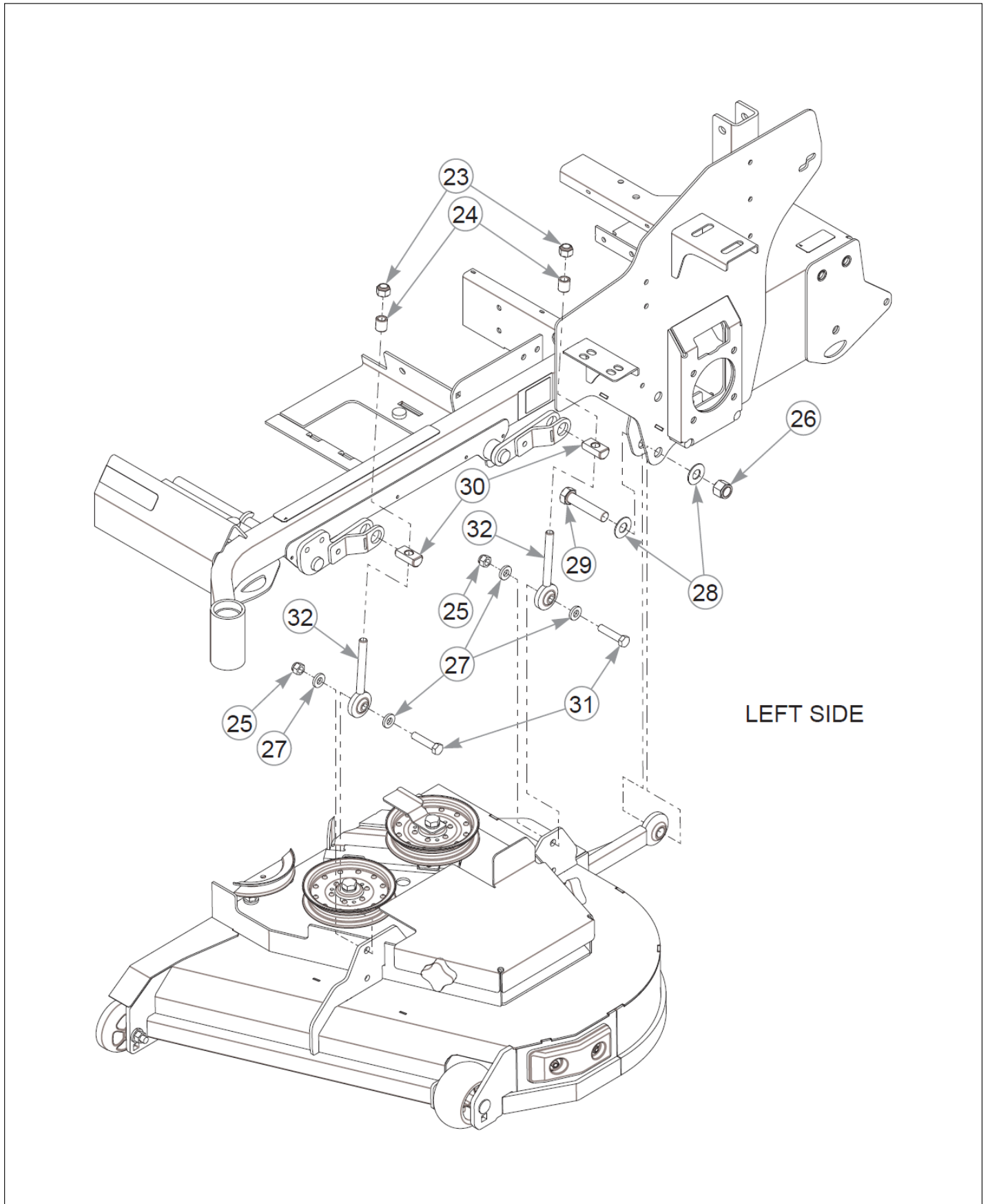
jmumford@excelii.com on Jan 30, 2017

1. Do not torque; the discharge chute must pivot freely.
2. Torque to 4–8 N•m.
3. Torque to 160 N•m.
4. This blade is approved for use with Catcher 606045:
787721 BLADE, 17.86"-H-F-CW
5. The pulley covers include the decal.

Deck



Elemento	Parte n.	Nome	Q.ta	Udm
1	086660	NT .375-16NLG8	1	EA
2	767954	FW 0.379 x 0.813 x 0.063	5	EA
3	718288	FW 0.516X0.875X0.090	4	EA
4	122993	ARM, LATCH	2	EA
5	054502	NT .375-16HXG5	4	EA
6	025395	CB .375-16X 1.00 G5 ZNY	4	EA
7	606679	DECAL, CE DECK HEIGHT	1	EA
8	117489	SPACER, LATCH	1	EA
9	553841	SVC, CUT HEIGHT W/A - X1	1	EA
10	604075	SPACER, CYLINDER	1	EA
11	604076	PIN, DECK HEIGHT STOP	1	EA
12	041848	CB .375-16X 3.500 FUL Z	1	EA
13	017251	CP .156DX1.000 LG HML Z	3	EA
14	025965	CE .500X3.50 .156X3.34	2	EA
15	068056	CE .500X1.50 .150X1.32	1	EA
16	604069	SLIDER, DECK LIFT	1	EA
17	074252	CS .500-13X1.500 HX G5	1	EA
18	004168	FW .531x1.00x.090 ZY	5	EA
19	122994	DECK HEIGHT LINK, W/A	1	EA
20	604253	CB .50-13 X 2.00 STD ZN	2	EA
21	122996	LINK SPACER	1	EA
22	122987	DECK LIFT LINK, W/A	1	EA
23	606316	NT 0.563-18 NLGC	4	EA
24	606292	DECK LEVEL SPACER	4	EA
25	781567	NT .500-13NLG5	6	EA
26	061101	NT .750-10 HX ZY NL GR B	2	EA
27	767962	FW .531 x 1.063 x .175	10	EA
28	025296	FW .760X1.625X0.080	4	EA
29	789115	CS .750-10X3.500HXG5	2	EA



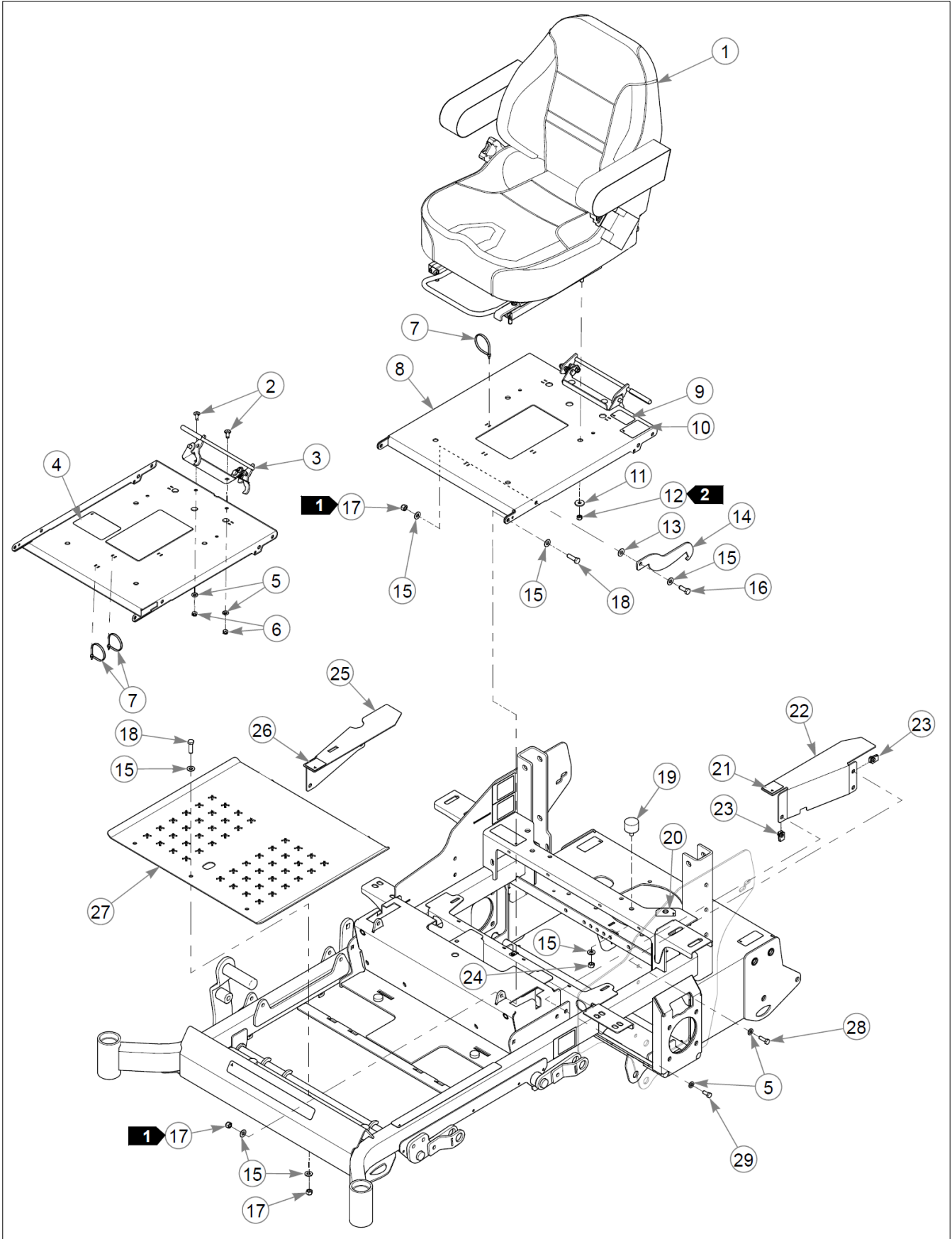
Elemento	Parte n.	Nome	Q.ta	Udm
30	606291	DECK LEVEL PIVOT	4	EA
31	761544	CS .500-13X2.250HXG8	4	EA
32	606290	W/A DECK LEVEL ROD END	4	EA
33	008193	NT .500-13HXG5	4	EA
34	606478	EB, .500-13X3.00 FULTHD	2	EA
35	606454	SPRING, EXT 7.0 300LB/IN	2	EA

Comments for Page: Deck Lift (Multi-Page)

jmumford@excelii.com on Jan 30, 2017

1. The cut height indicator includes the decal.

Seat & ROPS



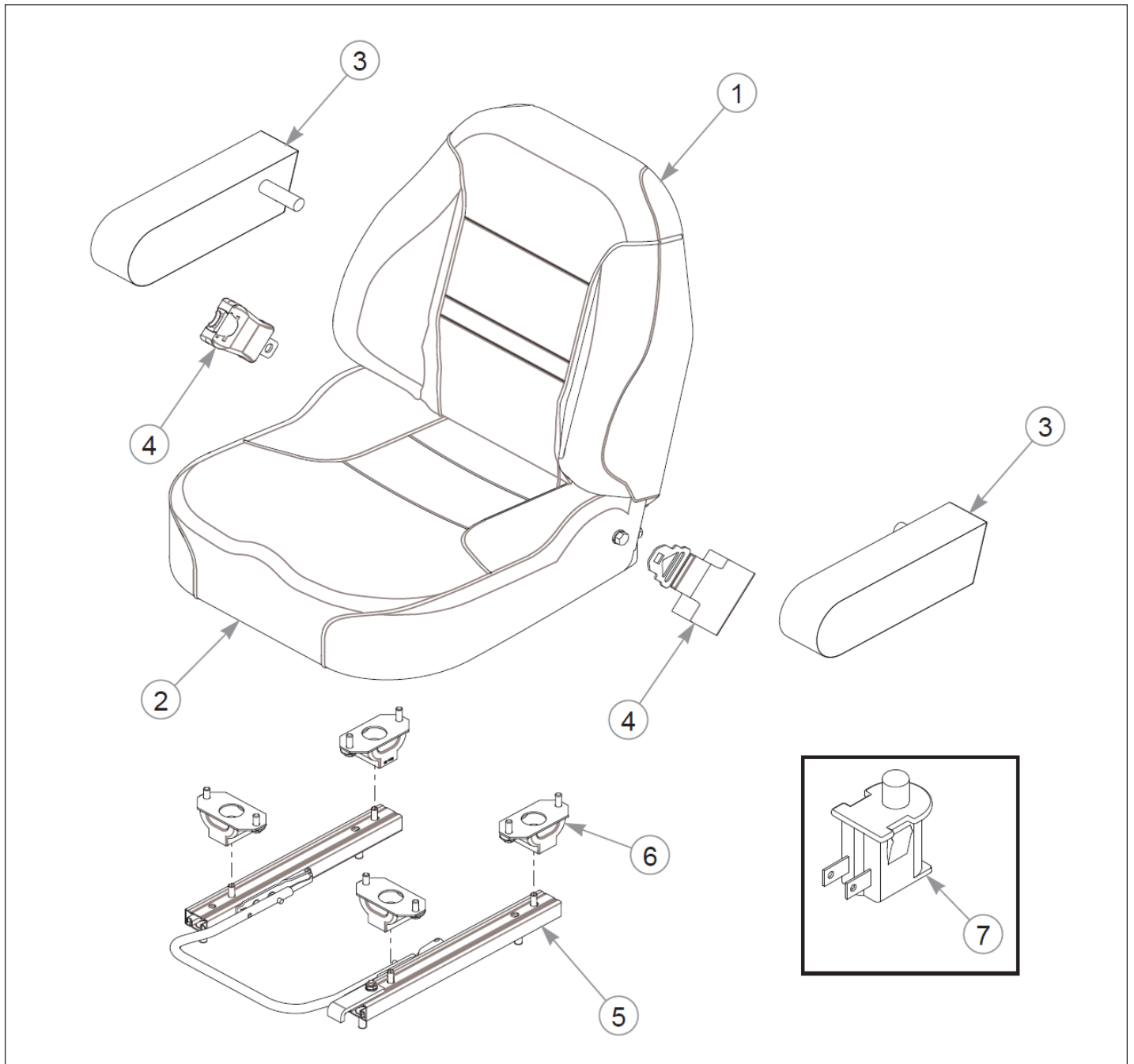
Elemento	Parte n.	Nome	Q.ta	Udm
1	606474	SEAT	1	EA
2	016253	CB .312-18X .750 FUL ZN	2	EA
3	605907	LATCH ASSEMBLY	1	EA
4	601815	DECAL, BATTERY WARNINGS	1	EA
5	768523	FW 0.343SAE	7	EA
6	034272	NT .312-18HXG5	2	EA
7	000331	WIRE TIE, SMALL/SHORT	3	EA
8	550815	SEAT PAN, SERVICE	1	EA
9	605688	DECAL, LEVEL FUEL FILL	1	EA
10	785188	DECAL, Z ARMREST WARNIN	1	EA
11	712927	FW 0.344X1.000X0.120HD	4	EA
12	058776	NT .312-18NLG5	4	EA
13	724716	WASHER, FIBER (FS)	2	EA
14	350421	SEAT PAN STOP (PLATED)	1	EA
15	767954	FW 0.379 x 0.813 x 0.063	10	EA
16	036244	CS .375-16X1.000HXG5	1	EA
17	086660	NT .375-16NLG8	4	EA
18	052860	CS .375-16X1.250 HX G5	3	EA
19	601650	VIBRATION MOUNT 70DURO	2	EA
20	791848	DECAL FUEL INDICATOR- M	1	EA
21	785139	DECAL, STEERING L.S.	1	EA
22	550823	FRAME COVER LS, SERVICE	1	EA
23	601069	CN .312-18x.200 MAX THK	5	EA
24	054502	NT .375-16HXG5	2	EA
25	550824	FRAME COVER RS, SERVICE	1	EA
26	785220	DECAL, STEERING R.S.	1	EA
27	606482	FLOOR PAN	1	EA
28	036236	CS .312-18X1.000HXG5	3	EA
29	034280	CS .312-18X0.750HXG5	2	EA

Comments for Page: Seat

jmumford@excelii.com on Jan 30, 2017

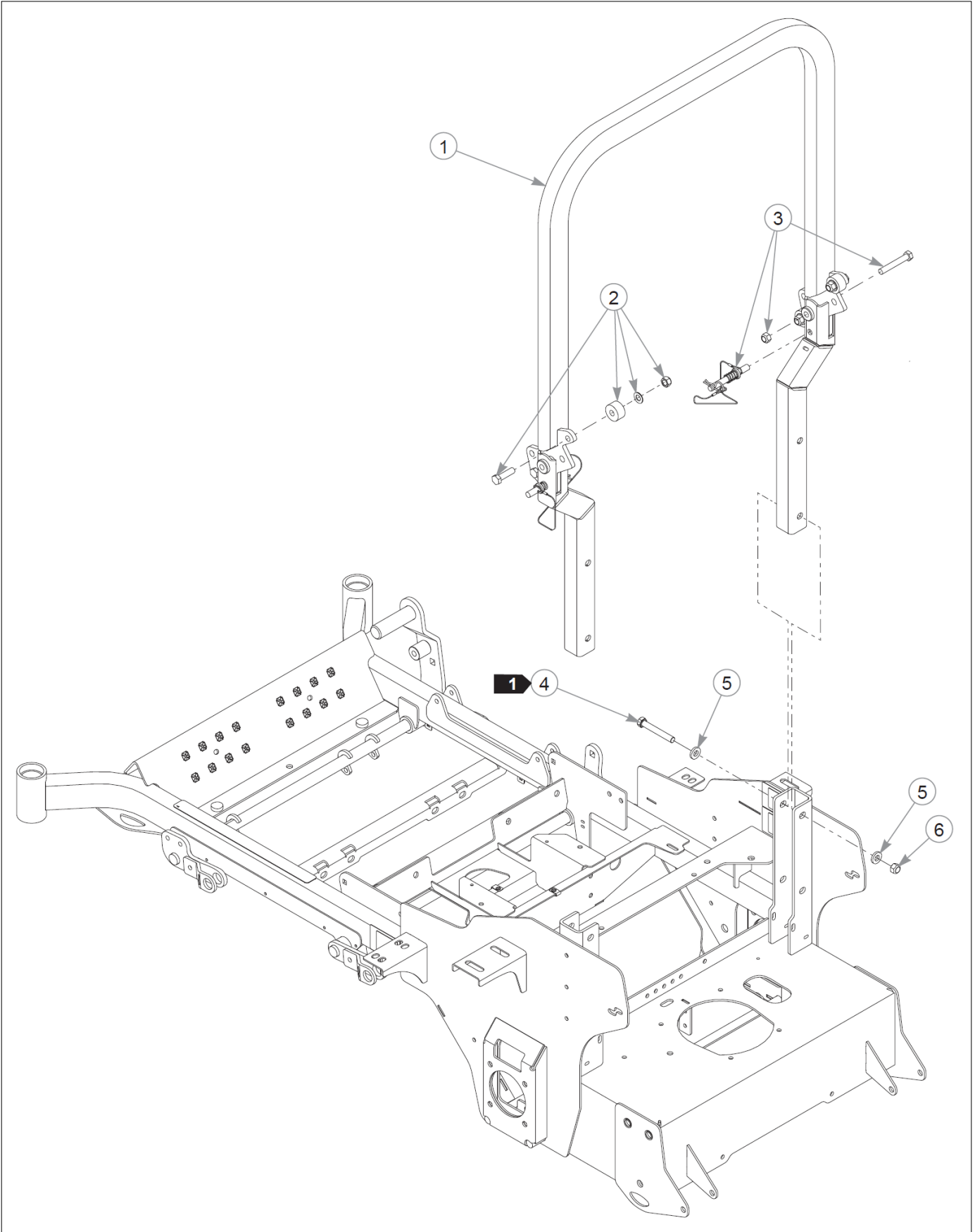
1. Do not torque; the seat pan and seat pan stop must pivot freely.
2. Torque to 23 N•m.
3. The seat pan includes decals and installation kit.
4. The LS and RS frame covers include decals.

Seat & ROPS



Elemento	Parte n.	Nome	Q.ta	Udm
Not Shown	606474	SEAT	1	EA
1	606572	SVC, SEAT BACK COVER	1	EA
2	606571	SVC, SEAT BOTTOM COVER	1	EA
3	605615	ARM REST (PAIR)	1	EA
4	604945	SEAT BELT (SET)	1	EA
5	606570	SVC, SLIDE/ SERVICE ONLY	1	EA
6	606569	SVC, ISO MOUNT/SERVICE	4	EA
7	793315	SWITCH, SEAT	1	EA

Seat & ROPS



Elemento	Parte n.	Nome	Q.ta	Udm
1	605741	ROPS COMPLETE ASSY	1	EA
2	605731	KIT, POLY STOP (SET)	2	EA
3	605638	ROPS HARDWARE KIT	1	EA
4	061812	CS .500-13X3.500HXG5	4	EA
5	767962	FW .531 x 1.063 x .175	8	EA
6	023317	NT .500-13UNTG8	4	EA

Comments for Page: ROPS

jmumford@excelii.com on Jan 30, 2017

1. Torque to 99 N•m.

Appendice A Indice pagine

Battery	7-2
Brake	4-7
Deck (Multi-Page)	8-3
Deck Lift (Multi-Page)	8-4
Deck Pulleys & Spindles	8-2
Drive Wheel Breakdown	5-3
Engine (Multi-Page)	6-1
Engine Guard	3-2
Engine Service Parts	6-2
Frame	3-1
Front Wheel Assembly	5-2
Fuel System	6-3
Fuel Tank Service Parts	6-4
General Information	1
Hydraulic System	4-1
Instrument Panel	7-1
Left Steering Box Assembly	4-5
ROPS	9-3
Right Steering Box Assembly	4-6
Seat	9-1
Seat Service Parts	9-2
Service Deck	8-1
Steering	4-3
Steering Cover Assembly (Multi-Page)	4-4
Transmission Service Parts	4-2
Wheel & Tire	5-1

Appendice B	Indice parti	045898	7-1
000323	6-1, 6-3	047456	4-5, 4-6
000331	6-1, 6-3, 7-1, 7-2, 9-1	048934	6-1
000430	7-1	051151	4-1
004168	8-4	052860	9-1
008193	3-2, 8-3, 8-4	053199	4-4
015495	3-1, 4-1, 8-3	054502	4-1, 4-3, 8-4, 9-1
015818	6-1, 6-3	055822	4-3, 6-3
016253	8-3, 9-1	055939	7-2
016832	4-3, 6-3	055947	6-3, 7-1
016899	3-2	058776	9-1
017251	8-4	059832	7-1
017616	4-1	061077	5-1
019521	5-2, 5-3	061101	5-2, 8-4
023317	4-1, 9-3	061812	9-3
023655	4-3, 4-7	063198	7-1
024927	7-2	064337	4-2
025007	4-1, 8-2	065516	4-2
025015	8-2	068056	8-4
025296	5-2, 8-4	068239	3-2
025395	3-2, 8-3, 8-4	068478	6-2
025965	8-4	073858	4-7
028118	8-2	074252	8-4
029868	7-2	076422	8-3
029876	4-3, 6-1	079210	8-3
034272	4-4, 4-7, 6-1, 7-1, 7-2, 9-1	080358	4-4
034280	7-1, 7-2, 8-3, 9-1	080655	4-7
036236	4-7, 6-1, 6-3, 7-1, 7-2, 9-1	086660	4-5, 4-6, 4-7, 8-3, 8-4, 9-1
036244	4-1, 4-3, 9-1	112895	4-4
039677	5-2	113007	4-4
041475	5-2	113578	4-5, 4-6
041848	8-4	113621	5-2
043570	6-3, 7-1	113946	6-1
045765	8-2	114052	7-1

116890	5-2	550824	9-1
117489	8-4	553618	8-1
120231	6-1	553769	8-3
122148	8-3	553770	8-3
122905	4-1	553837	3-1
122987	8-4	553841	8-4
122993	8-4	553843	3-2
122994	8-4	553845	7-1
122996	8-4	600961	3-1
123039	8-3	601047	7-1
123179	7-2	601069	8-1, 9-1
123181	6-3	601085	4-7
123182	6-3	601087	4-3
123305	4-5	601098	7-1
123306	4-6	601216	6-1
123432	4-7	601375	5-1
123433	4-7	601650	9-1
123434	4-7	601815	9-1
123435	4-7	601930	7-2
124086	8-3	601967	3-1
124385-1	3-2	601982	3-1
124432-1	4-1	601993	3-1
212076	6-1	602041	3-1
212472	8-2	602077	8-3
259812	8-2	602263	3-2, 8-3
344267	4-1	602304	4-1
348862	4-5, 4-6	602338	8-3
350397	4-7	602341	8-3
350421	9-1	602344	8-3
350884	8-2	602345	3-2, 8-3
377994	3-2	602383	4-7
387035	5-1	602384	4-7
550815	9-1	602407	3-1
550823	9-1	602562	3-1, 8-3

602580	6-1	604132	4-2
602680	6-1	604178	7-2
602821	8-2	604200	6-4
602838	8-2	604221	8-1
602879	4-1	604222	8-1
602880	4-1	604241	7-1
602935	8-2	604251	8-3
602936	8-2	604253	8-4
602963	8-2	604255	8-2
603012	6-1	604281	6-3
603022	8-2	604287	6-4
603023	8-2	604307	7-1
603049	8-3	604323	6-3
603055	4-4	604352	3-2
603078	4-4	604373	7-1
603112	6-1	604461	4-7
603137	6-1	604486	4-1
603138	6-2	604843	5-2
603153	5-1	604898	5-2
603164	5-1	604945	9-2
603326	6-1, 6-3	605087	4-4
603475	7-1	605159	6-4
603523	7-1	605215	6-3
603524	6-1	605376	8-3
603807	6-3	605615	9-2
603888	6-4	605638	9-3
604069	8-4	605648	6-4
604075	8-4	605688	9-1
604076	8-4	605731	9-3
604106	5-1	605741	9-3
604107	5-3	605907	9-1
604126	4-2	605916	8-3
604130	4-2	605924	4-3
604131	4-2	605936	8-3

606068	7-1	712919	6-3
606166	8-3	712927	9-1
606192	8-3	718288	8-4
606290	8-4	720516	6-1
606291	8-4	722199	4-4
606292	8-4	724716	9-1
606316	8-4	744276	6-1
606401	4-1	745059	6-3
606402	4-1	747832	5-2
606404K	6-1	748913	4-7
606411	4-1	752386	8-2
606433	6-3, 6-4	761544	8-4
606434	6-3, 6-4	763318	6-2
606454	8-4	765339	4-7
606460	8-2	767954	4-1, 4-3, 4-5, 4-6, 4-7, 6-1, 6-3, 8-3, 8-4, 9-1
606461	4-2	767962	3-2, 4-1, 8-2, 8-3, 8-4, 9-3
606466	7-1	768515	6-3, 7-1, 7-2
606471	6-1	768523	4-3, 4-4, 4-7, 6-1, 6-3, 7-1, 7-2, 8-3, 9-1
606474	9-1, 9-2	771428	7-2
606478	8-4	776310	3-1
606482	9-1	776476	7-1
606483	3-2	781153	4-4, 4-5, 4-6
606521	4-3	781260	4-3
606531	6-2	781302	4-1, 8-2
606535	6-2	781419	8-1
606569	9-2	781567	4-1, 8-4
606570	9-2	781583	4-7
606571	9-2	781872	8-3
606572	9-2	781880	3-1
606679	8-4	781922	4-3, 4-4
704932	7-1	782284	5-3
705178	4-5, 4-6, 4-7	782474	8-3
705954	3-2, 5-1, 8-2	782771	5-2
712257	7-1	784223	5-1

784439	4-4
785139	9-1
785188	9-1
785220	9-1
785261	6-2
785279	6-2
785436	8-3
785535	8-1
785659	6-1
785808	7-1
786657	7-1
787721	8-3
788943	6-1
789115	8-4
789131	6-1
789776CE	3-1
791251	6-1
791848	9-1
793315	9-2
794156	7-2
794198	8-3
795351	4-3
796219	6-1
796524	6-1
797738	4-5, 4-6
798603	5-1
798967	8-2